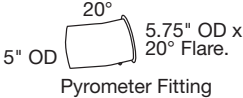
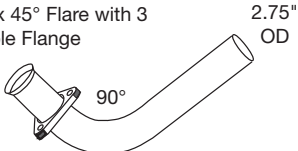
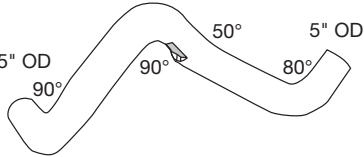
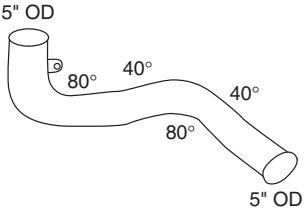
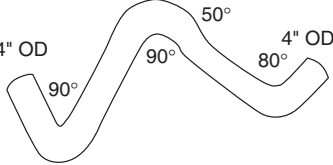
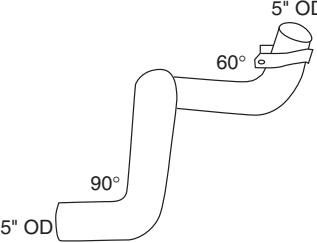
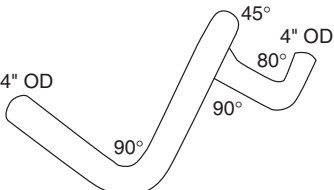
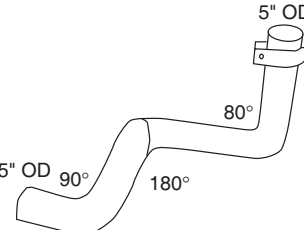
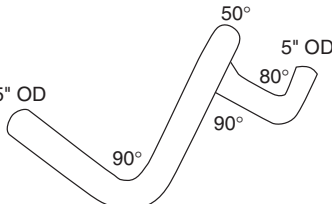
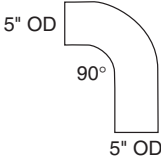
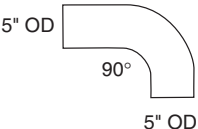
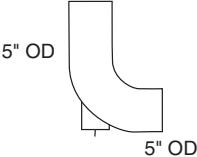
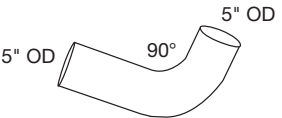
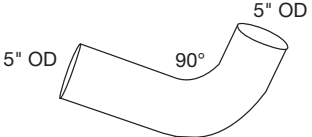
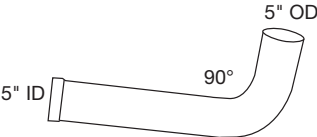
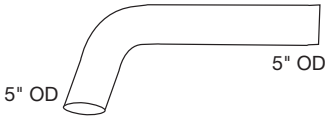
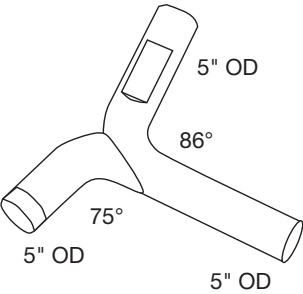
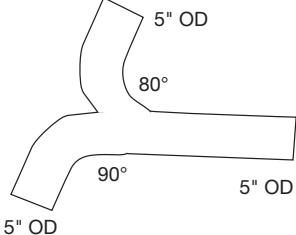
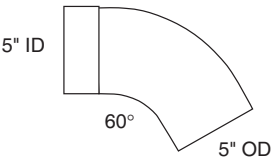
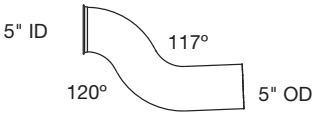
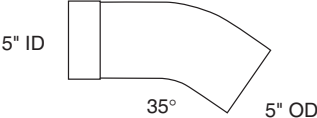


HEAVY DUTY

ALUMINIZED EXHAUST COMPONENTS FORD

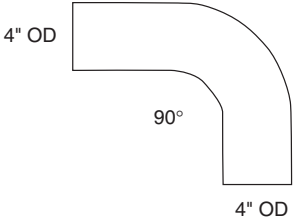
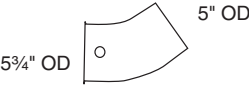
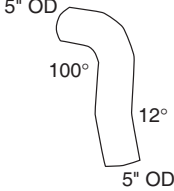
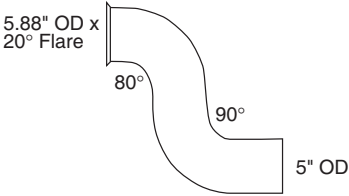
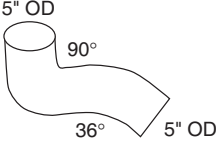
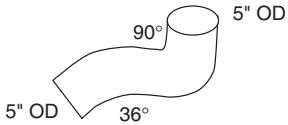
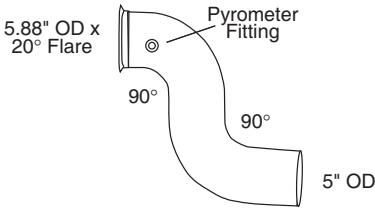
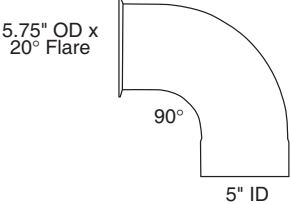
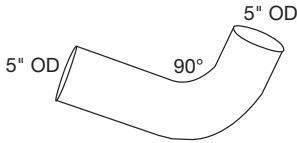
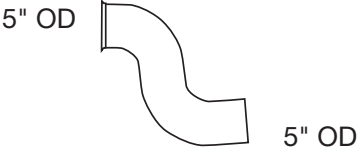
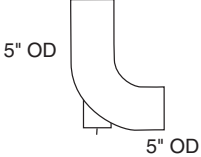
<p>Replaces FORD Part No. D8HZ-5246M Inlet Pipe L, LN, LNT, LT 9000 Series with Cummins NTC Engines.</p>  <p>5" OD 20° 5.75" OD x 20° Flare. Pyrometer Fitting</p> <p>41603 Requires 35806 V-Clamp</p>	<p>Replaces FORD Part No. D5HZ-5246AC Inlet Pipe RH L, LN, LNT, LT, LTS 8000 Series with Caterpillar 3208N Engines</p>  <p>3.25" OD x 45° Flare with 3 Hole Flange 90° 2.75" OD</p> <p>42211</p>	
<p>Replaces FORD Part No. E0HZ-5A212G Extension L, LT 9000 Series with Cummins NTC Engines</p>  <p>5" OD 90° 50° 90° 5" OD</p> <p>45263</p>		
<p>Replaces FORD Part No. D8HZ-5A212-BT Extension Pipe</p>  <p>5" OD 80° 40° 40° 5" OD</p> <p>54589</p>	<p>Replaces FORD Part No. E2HZ-5A212-F Extension Pipe</p>  <p>4" OD 90° 90° 50° 80° 4" OD</p> <p>54590</p>	<p>Replaces FORD Part No. F2HZ-5A212-B Extension Pipe</p>  <p>5" OD 90° 60° 5" OD</p> <p>54591</p>
<p>Replaces FORD Part No. E0HZ-5A212-B Extension Pipe</p>  <p>4" OD 90° 90° 45° 4" OD</p> <p>54594</p>	<p>Replaces FORD Part No. E2HZ-5A212-C Extension Pipe</p>  <p>5" OD 90° 180° 80° 5" OD</p> <p>55458</p>	<p>Replaces FORD Part No. E2HZ-5A212-BA Extension Pipe</p>  <p>5" OD 90° 90° 50° 5" OD</p> <p>55459</p>

ALUMINIZED EXHAUST COMPONENTS FREIGHTLINER


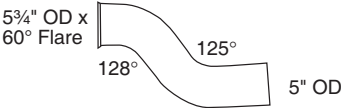
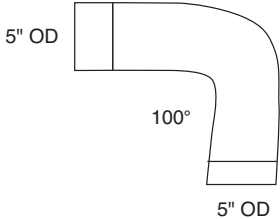


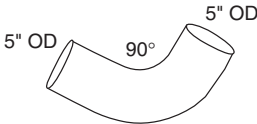
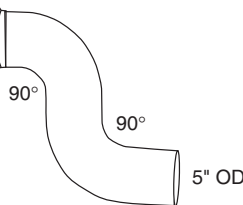
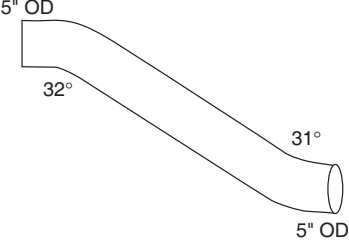
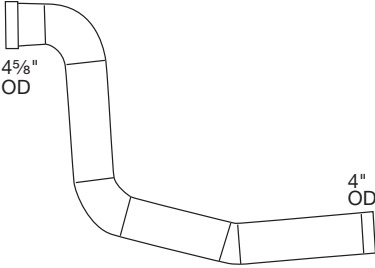
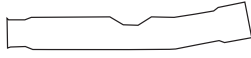
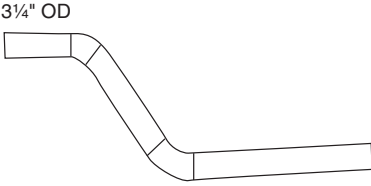
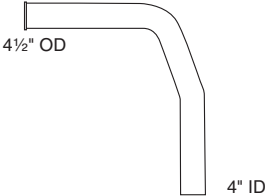
<p>Replaces FREIGHTLINER Part No. 04-09657-015 Chrome Elbow</p>  <p>29252</p>	<p>Replaces FREIGHTLINER Part No. 04-09657-013 Elbow</p>  <p>29254</p>	<p>Replaces FREIGHTLINER Part No. 04-17476-001 Chrome Elbow/Thread Stud</p>  <p>29257</p>	ACCESSORIES
<p>Replaces FREIGHTLINER Part No. 04-09586-015 Elbow</p>  <p>42081</p>	<p>Replaces FREIGHTLINER Part No. 04-09586-017 Elbow</p>  <p>42186</p>	<p>Replaces FREIGHTLINER Part No. 04-09833-006 Elbow</p>  <p>43613</p>	TECH-FIT
<p>Replaces FREIGHTLINER Part No. 04-17131-009 (87") Part No. 04-17131-006 (Med, cut to fit) Part No. 04-17131-001 (Short, cut to fit) Extension Pipe</p>  <p>48340</p>	<p>Replaces FREIGHTLINER Part No. 04-16885-024 Y-Pipe</p>  <p>50342</p>	<p>Replaces FREIGHTLINER Part No. 04-16685-041 Y-Pipe</p>  <p>50449</p>	HEAVY DUTY TRUCK GWV 7-8
<p>Replaces FREIGHTLINER Part No. 04-11284-000 Elbow</p>  <p>51037</p>	<p>Replaces FREIGHTLINER Part No. 04-22317-000 Front Pipe 2005 LT950, Engine Series 60 Diesel, HP (400-450)</p>  <p>51045</p>	<p>Replaces FREIGHTLINER Part No. 04-16639-001 Extension Pipe</p>  <p>51046</p>	APPLICATION BY ENGINE
			MEDIUM DUTY TRUCK GWV 3-6
			SCHOOL BUS
			AGRICULTURAL
			MUFFLER SPECS
			O.E. CROSS INDEX

HEAVY DUTY

ALUMINIZED EXHAUST COMPONENTS FREIGHTLINER

<p>Replaces FREIGHTLINER Part No. 04-17253-033 Elbow</p>  <p>4" OD 90° 4" OD</p> <p>51060</p>	<p>Replaces FREIGHTLINER Part No. 04-16460-009 Turbo Pipe w/Pyrometer Fitting</p>  <p>5 3/4" OD 5" OD</p> <p>51089</p>	<p>Replaces FREIGHTLINER Part No. 04-15652-000 Extension Pipe</p>  <p>5" OD 100° 12° 5" OD</p> <p>52032</p>
<p>Replaces FREIGHTLINER Part No. 04-17094-012 Front Pipe</p>  <p>5.88" OD x 20° Flare 80° 90° 5" OD</p> <p>52369 Requires 35806 V-Clamp</p>		<p>Replaces FREIGHTLINER Part No. 04-15077-000 Intermediate Pipe</p>  <p>5" OD 90° 36° 5" OD</p> <p>52371</p>
<p>Replaces FREIGHTLINER Part No. 04-15077-003 Intermediate Pipe</p>  <p>90° 5" OD 5" OD 36°</p> <p>52372</p>	<p>Replaces FREIGHTLINER Part No. 04-17094-013 Elbow</p>  <p>5.88" OD x 20° Flare Pyrometer Fitting 90° 90° 5" OD</p> <p>52373 Requires 35806 V-Clamp</p>	<p>Replaces FREIGHTLINER Part No. 04-14120-000 Elbow</p>  <p>5.75" OD x 20° Flare 90° 5" ID</p> <p>52374 Requires 35806 V-Clamp</p>
<p>Replaces FREIGHTLINER Part No. 04-13110-032 Elbow</p>  <p>5" OD 90° 5" OD</p> <p>52375</p>	<p>Replaces FREIGHTLINER Part No. 04-17094-012 Front Pipe 2000 A9500, CAT Engines (3176, 3406E, 3406) 6 Spd Manual Trans.</p>  <p>5" OD 90° 5" OD</p> <p>52402</p>	<p>Replaces FREIGHTLINER Part No. 04-17476-000 Elbow</p>  <p>5" OD 90° 5" OD</p> <p>52429</p>

ALUMINIZED EXHAUST COMPONENTS FREIGHTLINER

<p>Replaces FREIGHTLINER Part No. 04-17123-024</p>  <p>5" OD</p> <p>52430</p>	<p>Replaces FREIGHTLINER Part No. 04-21016-008 Front Pipe</p>  <p>5 3/4" OD x 60° Flare</p> <p>128°</p> <p>125°</p> <p>5" OD</p> <p>52522</p>	<p>Replaces FREIGHTLINER Part No. 04-12099-001 Elbow</p>  <p>5" OD</p> <p>100°</p> <p>5" OD</p> <p>52527</p>
<p>Replaces FREIGHTLINER Part No. 04-21012-002 Front Pipe</p>  <p>5" OD</p> <p>52528</p>	<p>Replaces FREIGHTLINER Part No. 04-21016-009 Front Pipe</p>  <p>5" OD</p> <p>52529</p>	<p>Replaces FREIGHTLINER Part No. 04-09856-013 Elbow</p>  <p>5" OD</p> <p>90°</p> <p>5" OD</p> <p>53095</p>
<p>Replaces FREIGHTLINER Part No. 04-17094-014 Front Pipe</p>  <p>5.88" OD x 20° Flare</p> <p>90°</p> <p>90°</p> <p>5" OD</p> <p>53570 Requires 35806 V-Clamp</p>	<p>Replaces FREIGHTLINER Part No. 04-12399-000 Extension Pipe</p>  <p>5" OD</p> <p>32°</p> <p>31°</p> <p>5" OD</p> <p>53593</p>	<p>Replaces FREIGHTLINER Part No. 04-19025-000 Front Pipe</p>  <p>4 5/8" OD</p> <p>4" OD</p> <p>53631</p>
<p>Replaces FREIGHTLINER Part No. 04-17254-000 Front Pipe</p>  <p>3 1/4" OD</p> <p>4" OD</p> <p>53662</p>	<p>Replaces FREIGHTLINER Part No. 04-18157-000 Front Pipe 2001-98 B-Series w/Cummins Diesel Eng.</p>  <p>3 1/4" OD</p> <p>3" OD</p> <p>54564</p>	<p>Replaces FREIGHTLINER Part No. 04-16873-000 Front Pipe 1995 FL70 w/8.3L (2200-300 Hp) Manual 9 Spd. Eaton Trar Cummins 8.3L, (225) Allison 6 Spd Trans.</p>  <p>4 1/2" OD</p> <p>4" ID</p> <p>54580</p>

ACCESSORIES

TECH-FIT

HEAVY DUTY
TRUCK
GVW 7-8

APPLICATION
BY ENGINE

MEDIUM
DUTY TRUCK
GVW 3-6

SCHOOL
BUS

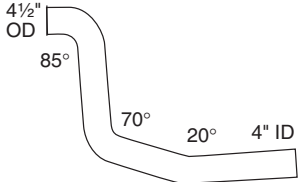
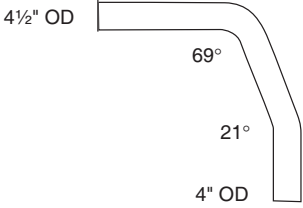
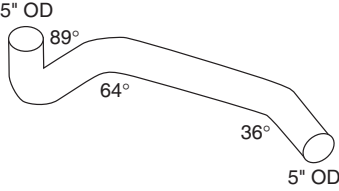

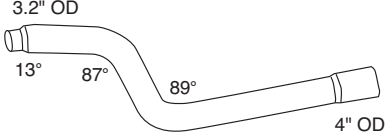
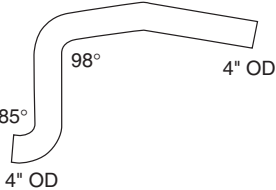
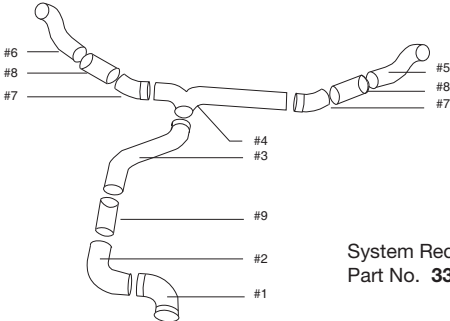
AGRICULTURAL

MUFFLER
SPECS

O.E. CROSS
INDEX

HEAVY DUTY

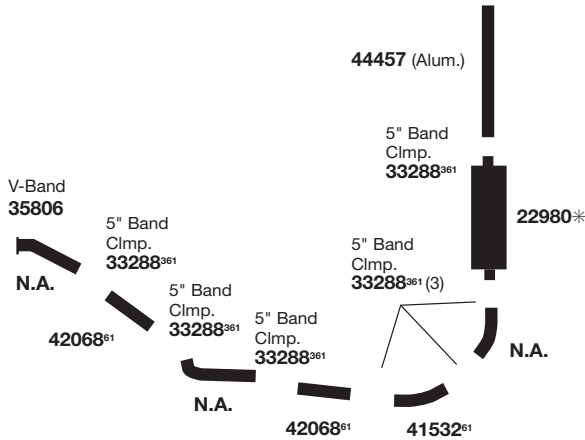
ALUMINIZED EXHAUST COMPONENTS FREIGHTLINER

<p>Replaces FREIGHTLINER Part No. 04-20001-000 Front Pipe 2001 FL70 w/Cat 3126, 210, 175 Hp, 5 Spd 2002 FL70 W/Cat 3126, 190 Hp, 6 Spd 2003 FL70 W/Cat 3126B CFE 210/200, 210 Hp, 6 Spd 2004 FL70 W/Cat 3126, 190 Hp, 6 Spd 2005 FL70 W/Cat 3126, 300 Hp</p>  <p>54618</p>	<p>Replaces FREIGHTLINER Part No. 04-18817-000 Front Pipe 2001 FL70 w/Cummins 8.3L, 250 Hp</p>  <p>54620</p>	<p>Replaces FREIGHTLINER Part No. 04-22348-000 Extension Pipe</p>  <p>54621</p>
<p>Replaces FREIGHTLINER Part No. 04-16621-001 Extension Pipe</p>  <p>54824</p>	<p>Replaces FREIGHTLINER Part No. 04-16872-000 Front Pipe 1997 FL70 w/Cummins B5.9L, 190 Hp, 6 Spd</p>  <p>55442</p>	<p>Replaces FREIGHTLINER Part No. 04-20002-000 Front Pipe</p>  <p>55471</p>
<p>1990-88 Freightliner Conventional IE with Dual Exhaust, 40" Sleeper, and Caterpillar 3406B Engine</p>		
 <p>System Requires Twelve (12) Lap Joint Clamps Part No. 33276</p>		
<p>#1 - Exhaust Pipe Part No. 52374 Freightliner Part No. A04-14120-000</p>	<p>#6 - Left Exhaust Pipe Part No. 52372 Freightliner Part No. 04-15077-003</p>	
<p>#2 - Exhaust Pipe Part No. 52375 Freightliner Part No. A04-13110-032</p>	<p>#7 - Exhaust Pipe Part No. 41833 Freightliner Part No. 04-13315-000</p>	
<p>#3 - Exhaust Pipe Part No. N.A. Freightliner Part No. A04-13973-000</p>	<p>#8 - Flex Pipe 5" x 12" Part No. 41694 (CUT TO LENGTH)</p>	
<p>#4 - Y Exhaust Pipe Part No. 54046 Freightliner Part No. A04-13974-000</p>	<p>#9 - Flex Pipe 5" I.D. x 14" Part No. See Page 24 (CUT TO LENGTH)</p>	
<p>#5 - Right Exhaust Pipe Part No. 52371 Freightliner Part No. 04-15077-000</p>		

HEAVY DUTY

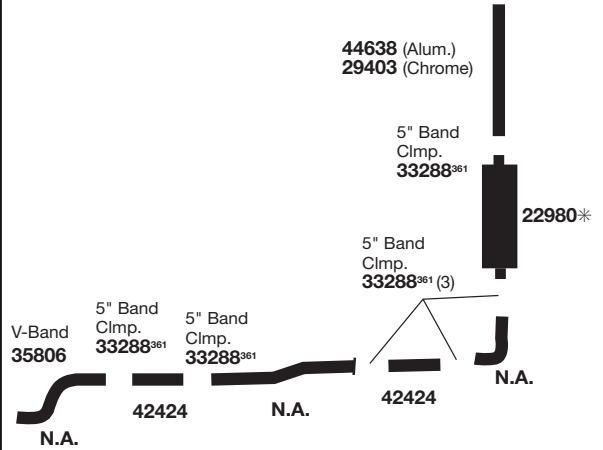
FREIGHTLINER

FLC 120 w/CATERPILLAR 3406 & CUMMINS
(4950) L10, NTC DIESEL, RH SINGLE VERTICAL SYSTEM



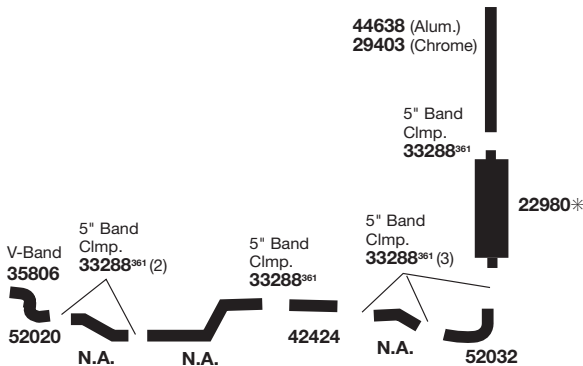
* **MEGA-FLOW™**
NOISEBRAKER

FLD 120 w/CATERPILLAR 3406 DIESEL, RH
(4952) SINGLE VERTICAL SYSTEM



* **MEGA-FLOW™**
NOISEBRAKER

FLD 120 w/60 SERIES DETROIT DIESEL, LH
(4951) SINGLE VERTICAL SYSTEM



* **MEGA-FLOW™**
NOISEBRAKER

	O.E. #	Walker #
1.	04-13310-000	41532
2.	04-15574-000	52020
	04-17094-002	52020
	04-17094-014	52020

	O.E. #	Walker #
3.	04-15652-000	52032

NOTE: For optional replacement exhaust pipe coverage see Tech-Fit pages 40-47.

ACCESSORIES

TECH-FIT

HEAVY DUTY TRUCK
GWW 7-8

APPLICATION BY ENGINE

MEDIUM DUTY TRUCK
GWW 3-6

SCHOOL BUS

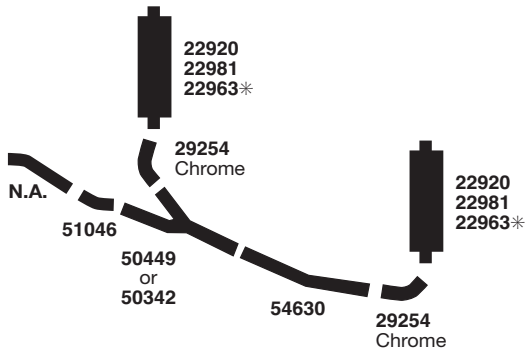
AGRICULTURAL

MUFFLER SPECS

O.E. CROSS INDEX

HEAVY DUTY

Classic Model,
Dual Exhaust



* **MEGA-FLOW™
NOISEBRAKER**

FREIGHTLINER

Century Model, Columbia Model,
Single Exhaust



* **MEGA-FLOW™
NOISEBRAKER**

	O.E. #	Walker #
1.	04-09657-013	29254
2.	04-16621-001	54630
3.	04-16639-001	51046


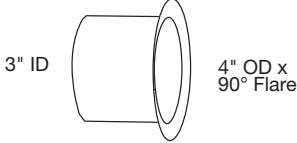
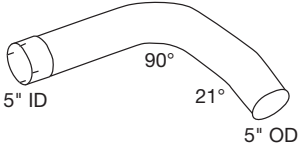
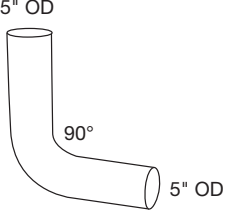
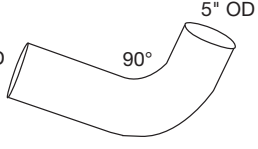
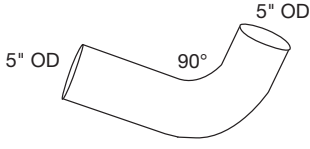
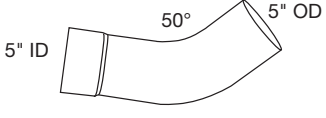
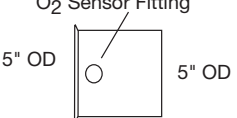

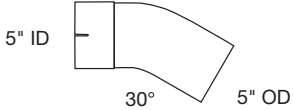
	O.E. #	Walker #
4.	04-16885-041	50449
5.	04-16885-024	50342
6.	04-17123-024	52430

	O.E. #	Walker #
7.	04-17131-001	48340
	04-17131-006	48340
	04-17131-009	48340

	O.E. #	Walker #
8.	04-17476-000	52429
9.	04-17476-001	29257

NOTE: For optional replacement exhaust pipe coverage see Tech-Fit pages 40-47.

ALUMINIZED EXHAUST COMPONENTS GMC

<p>Replaces GMC Part No. 2353719 Tail Pipe</p>  <p>4" OD 6" CLR</p> <p>41097</p>	<p>Replaces GMC Part No. 2046594 Extension</p>  <p>3" ID 4" OD x 90° Flare</p> <p>41662 Requires 35495 V-Clamp</p>	
<h3>KENWORTH</h3>		
<p>Replaces KENWORTH Part No. K180-10742RCP Chrome Connector Pipe (Right Hand)</p>  <p>5" ID 90° 21° 5" OD</p> <p>29255</p>	<p>Replaces KENWORTH Part No. K180-15593 Elbow</p>  <p>5" OD 90° 5" OD</p> <p>41436</p>	
<p>Replaces KENWORTH Part No. K180-18610-385 Kenworth early AeroCab w/one Muffler Elbow</p>  <p>5" OD 90° 5" OD</p> <p>42147</p>	<p>Replaces KENWORTH Part No. K16948-012</p>  <p>5" OD 90° 5" OD</p> <p>42186</p>	<p>Replaces KENWORTH Part No. K180-8048</p>  <p>5" ID 50° 5" OD</p> <p>42855</p>
<p>Replaces KENWORTH Part No. K130-166 Front Pipe</p>  <p>O₂ Sensor Fitting 5" OD 5" OD</p> <p>51048</p>	<p>Replaces KENWORTH Part No. K180-182-02 1995 Kenworth T300 w/8.3L Cummins Diesel Elbow</p>  <p>31° 4" OD 4" ID</p> <p>51049</p>	<p>Replaces KENWORTH Part No. K180-5419 Front Pipe</p>  <p>5" ID 30° 5" OD</p> <p>51050</p>

ACCESSORIES

TECH-FIT

HEAVY DUTY
TRUCK
GWW 7-8

APPLICATION
BY ENGINE

MEDIUM
DUTY TRUCK
GWW 3-6

SCHOOL
BUS

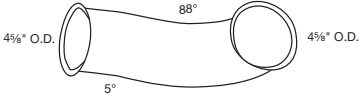
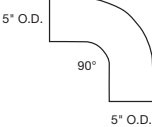
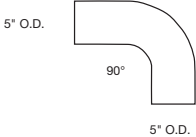
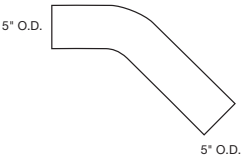
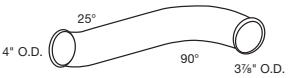

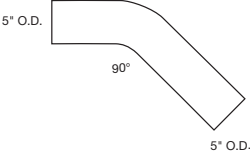
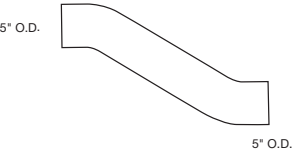
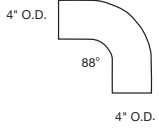
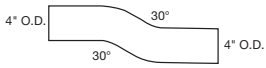

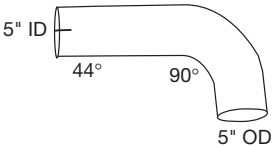
AGRICULTURAL

MUFFLER
SPECS


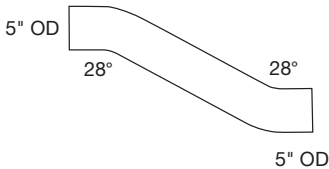
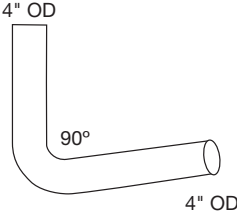
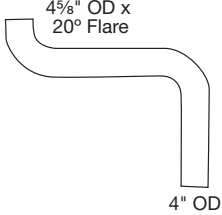
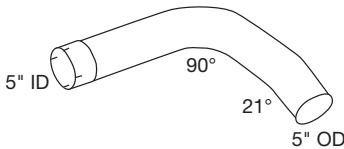
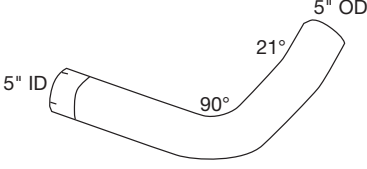
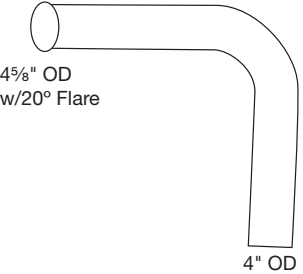
O.E. CROSS
INDEX

HEAVY DUTY

ALUMINIZED EXHAUST COMPONENTS KENWORTH

<p>Replaces KENWORTH Part No. M66-1960 Extension Pipe</p>  <p>4 1/4" O.D. 88° 4 1/4" O.D. 5°</p> <p>51051</p>	<p>Replaces KENWORTH Part No. K180-17211-4 2003 T300 w/8.3L ISC Cummins Diesel Elbow</p>  <p>5" O.D. 90° 5" O.D.</p> <p>51056</p>	<p>Replaces KENWORTH Part No. K180-17211-6 Elbow</p>  <p>5" O.D. 90° 5" O.D.</p> <p>51057</p>
<p>Replaces KENWORTH Part No. K180-14765 Elbow</p>  <p>5" O.D. 5" O.D.</p> <p>52406</p>	<p>Replaces KENWORTH Part No. M66-1959 Extension Pipe</p>  <p>4" O.D. 25° 90° 3 7/8" O.D.</p> <p>52407</p>	<p>Replaces KENWORTH Part No. M66-1969 Extension Pipe</p>  <p>5 1/2" O.D. x 20° Flare 4 7/8" O.D.</p> <p>52408</p>
<p>Replaces KENWORTH Part No. K180-8049 Front Pipe</p>  <p>5" O.D. 90° 5" O.D.</p> <p>52411</p>	<p>Replaces KENWORTH Part No. K180-6326 Elbow</p>  <p>5" O.D. 5" O.D.</p> <p>52412</p>	<p>Replaces KENWORTH Part No. K180-18203 Elbow 1995 T300 w/8.3L Cummins Diesel</p>  <p>4" O.D. 88° 4" O.D.</p> <p>52414</p>
<p>Replaces KENWORTH Part No. K180-19626 Extension Pipe 2001 T300 w/3126B Cat Diesel Eng.</p>  <p>4" O.D. 30° 30° 4" O.D.</p> <p>52416</p>	<p>Replaces KENWORTH Part No. M66-1573 Extension Pipe</p>  <p>4" O.D. 48° 48° 4" O.D.</p> <p>52417</p>	<p>Replaces KENWORTH Part No. K180-14764R RH Extension Pipe</p>  <p>5" ID 44° 90° 5" OD</p> <p>53017</p>

ALUMINIZED EXHAUST COMPONENTS KENWORTH

<p>Replaces KENWORTH Part No. K180-14764L (See Kmex)</p>  <p>53018</p>	<p>Replaces KENWORTH Part No. K180-14122 Extension Pipe</p>  <p>53635</p>	<p>Replaces KENWORTH Part No. K180-18760 Extension Pipe</p>  <p>53638</p>
<p>Replaces KENWORTH Part No. M66-1426 Extension Pipe</p>  <p>53639</p>	<p>Replaces KENWORTH Part No. K180-10742R Connector Pipe (Right Hand)</p>  <p>53640</p>	<p>Replaces KENWORTH Part No. K180-10742L Connector Pipe (Left Hand)</p>  <p>53642</p>
<p>Replaces KENWORTH Part No. M66-1571 Front Pipe</p>  <p>53643</p>		
Empty space for additional components		

ACCESSORIES

TECH-FIT

HEAVY DUTY
TRUCK
GWW 7-8

APPLICATION
BY ENGINE

MEDIUM
DUTY TRUCK
GWW 3-6

SCHOOL
BUS

AGRICULTURAL

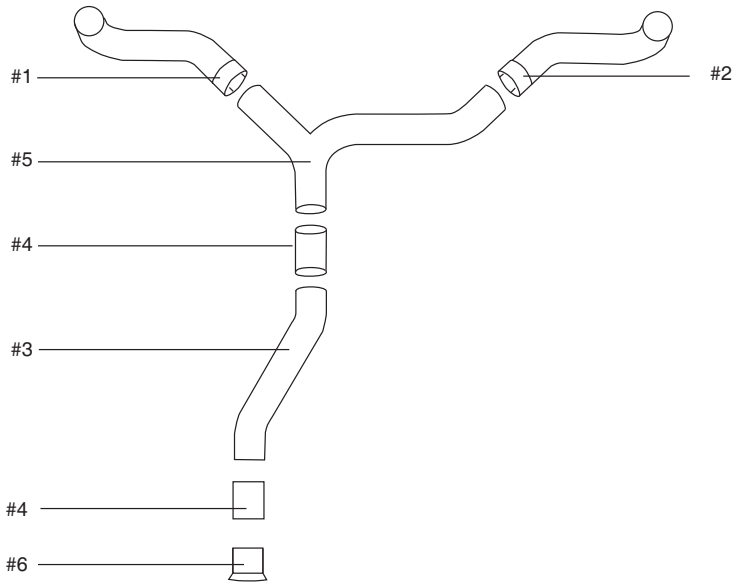
MUFFLER
SPECS

O.E. CROSS
INDEX

HEAVY DUTY

ALUMINIZED EXHAUST COMPONENTS KENWORTH

Model T-800 - Mexico Kenworth (Kmex)

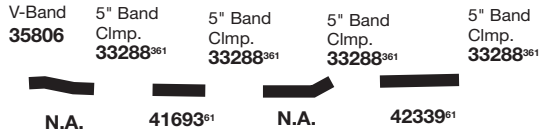


#1 - Right Exhaust Pipe Part No. 53017 Kenworth Part No. K180-14764R	#4 - Flex Pipe Part No. (SEE CUT TO LENGTH FLEX)
#2 - Left Exhaust Pipe Part No. 53018 Kenworth Part No. K180-14764L	#5 - Exhaust Pipe Part No. 54044 Kenworth Part No. K180-14766
#3 - Exhaust Pipe Part No. 53635 Kenworth Part No. K180-14122	#6 - Turbo Pipe Part No. N.A.

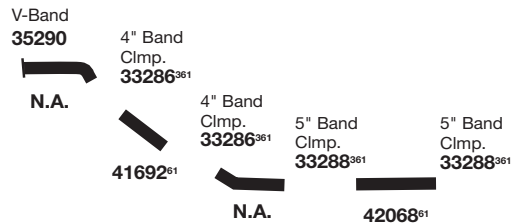
C500B
(4953)

w/CATERPILLAR 3306B, 3406B, CUMMINS L10, NTC, DETROIT DIESEL SERIES 60 DIESEL ENG.
SINGLE VERTICAL SYSTEM

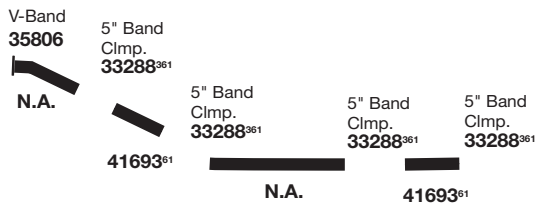
FRONT SECTION



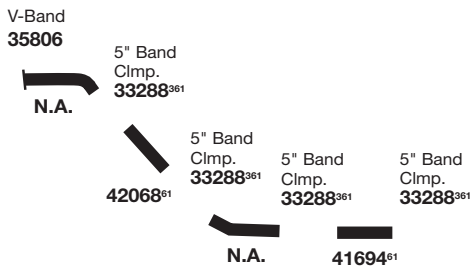
(CATERPILLAR 3406B)



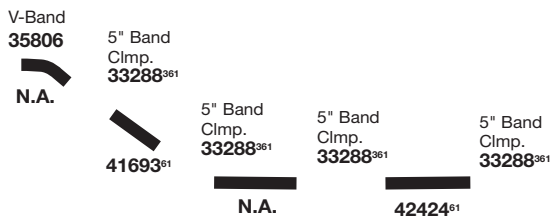
(CATERPILLAR 3306B)



(CUMMINS L10)

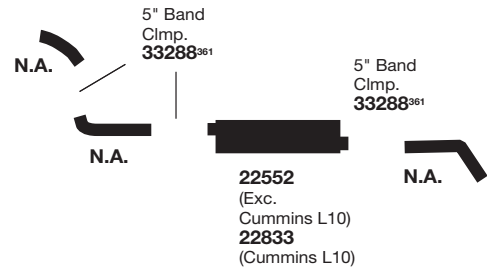


(CUMMINS NTC)



(DETROIT DIESEL SERIES 60)

REAR SECTION



ACCESSORIES

TECH-FIT

HEAVY DUTY TRUCK
TRUCK
GVW 7-8

APPLICATION
BY ENGINE

MEDIUM
DUTY TRUCK
GVW 3-6

SCHOOL
BUS

AGRICULTURAL

MUFFLER
SPECS

O.E. CROSS
INDEX

NOTE: For optional replacement exhaust pipe coverage see Tech-Fit pages 40-47.

61 Cut to fit.

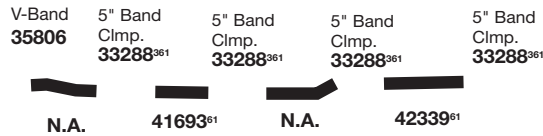
361 For other Clamp options, see page 14-15. 61

HEAVY DUTY

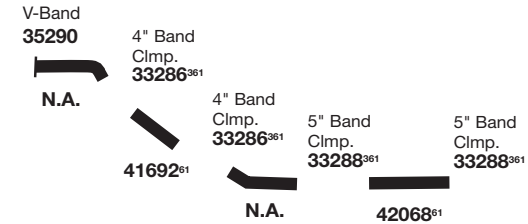
KENWORTH

C500B (4954) w/CATERPILLAR 3306B, 3406B, CUMMINS L10, NTC, DETROIT DIESEL SERIES 60 DIESEL ENG. SINGLE VERTICAL SYSTEM

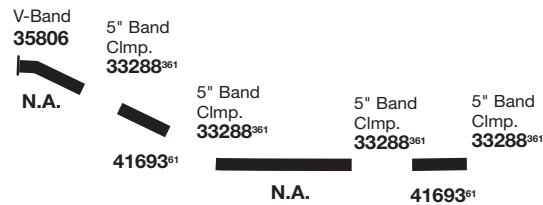
FRONT SECTION



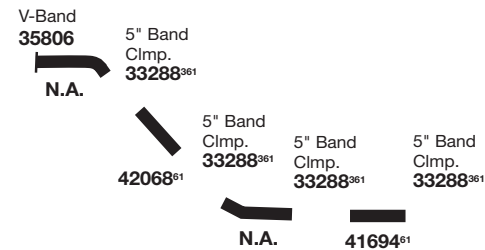
(CATERPILLAR 3406B)



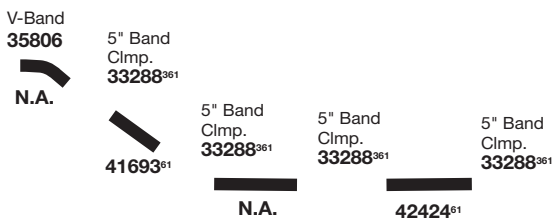
(CATERPILLAR 3306B)



(CUMMINS L10)

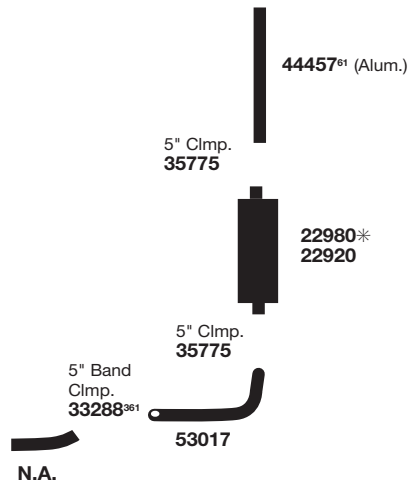


(CUMMINS NTC)



(DETROIT DIESEL SERIES 60)

REAR SECTION



* **MEGA-FLOW™
NOISEBRAKER**

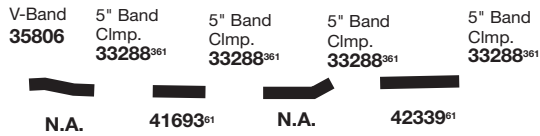
	O.E. #	Walker #
1.	K180-14764R	53017
	K180-14764RCP	53017

NOTE: For optional replacement exhaust pipe coverage see Tech-Fit pages 40-47.

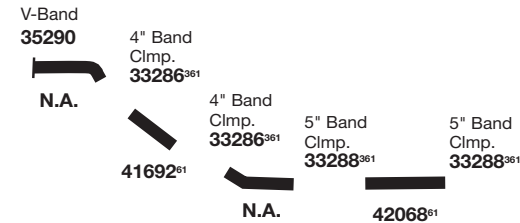
KENWORTH

C500B (4955) w/CATERPILLAR 3306B, 3406B, CUMMINS L10, NTC, DETROIT DIESEL SERIES 60 DIESEL ENG. DUAL VERTICAL SYSTEM

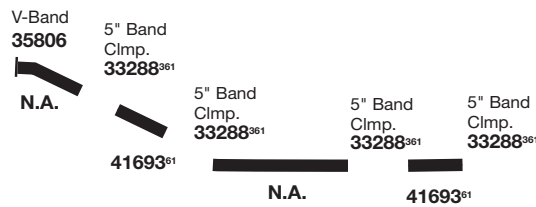
FRONT SECTION



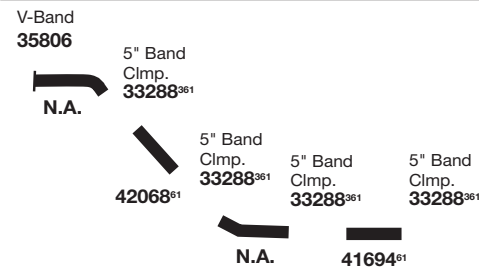
(CATERPILLAR 3406B)



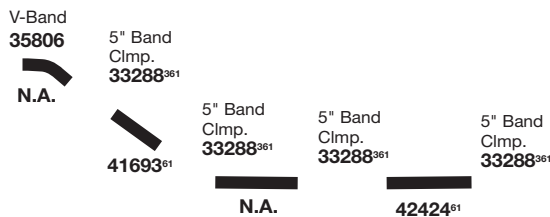
(CATERPILLAR 3306B)



(CUMMINS L10)

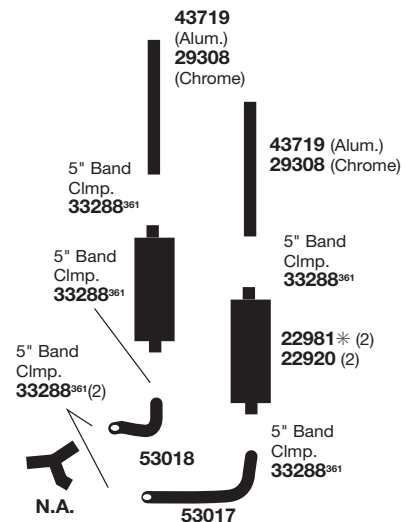


(CUMMINS NTC)



(DETROIT DIESEL SERIES 60)

REAR SECTION



* **MEGA-FLOW™**
NOISEBRAKER

	O.E. #	Walker #
1.	K180-14764R	53017
	K180-14764RCP	53017
2.	K180-14764L	53018

NOTE: For optional replacement exhaust pipe coverage see Tech-Fit pages 40-47.

61 Cut to fit.

361 For other Clamp options, see page 14-15. 63

ACCESSORIES

TECH-FIT

HEAVY DUTY
TRUCK
GVW 7-8

APPLICATION
BY ENGINE

MEDIUM
DUTY TRUCK
GVW 3-6

SCHOOL
BUS

AGRICULTURAL

MUFFLER
SPECS

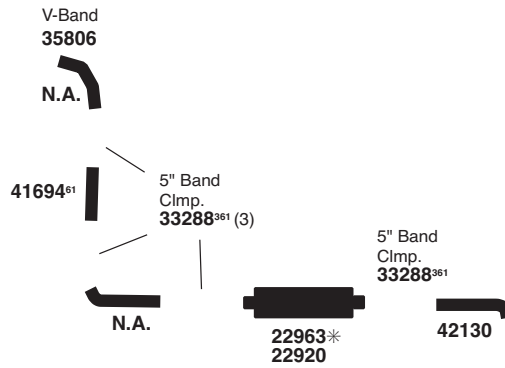
O.E. CROSS
INDEX

HEAVY DUTY

KENWORTH

K100E
(4956)

w/CATERPILLAR 3406B, CUMMINS NTC, DIESEL ENG. SINGLE HORIZONTAL SYSTEM



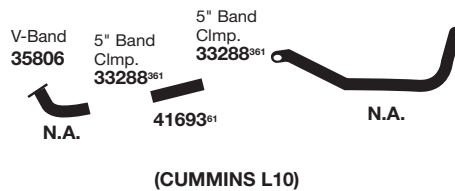
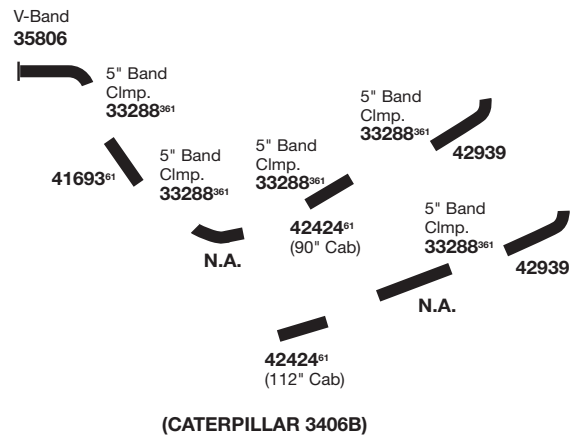
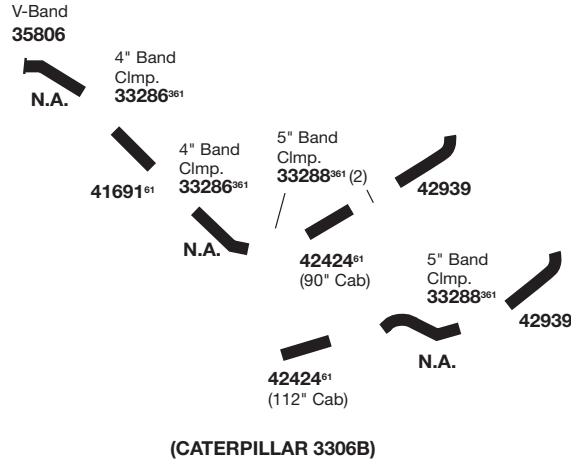
* **MEGA-FLOW™**
NOISEBRAKER

NOTE: For optional replacement exhaust pipe coverage see Tech-Fit pages 40-47.

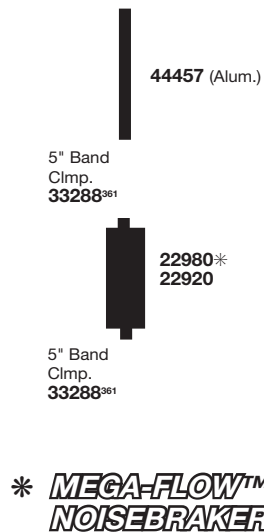
K100E
(4957)

w/CATERPILLAR 3306B, 3406B, CUMMINS L10, N14, NTC, DETROIT DIESEL SERIES 60 SINGLE.

FRONT SECTION



REAR SECTION



	O.E. #	Walker #
1.	K180-15593	42939

NOTE: For optional replacement exhaust pipe coverage see Tech-Fit pages 40-47.

61 Cut to fit.

361 For other Clamp options, see page 14-15. 65

ACCESSORIES

TECH-FIT

HEAVY DUTY TRUCK
GWW 7-8

APPLICATION BY ENGINE

MEDIUM DUTY TRUCK
GWW 3-6

SCHOOL BUS

AGRICULTURAL

MUFFLER SPECS

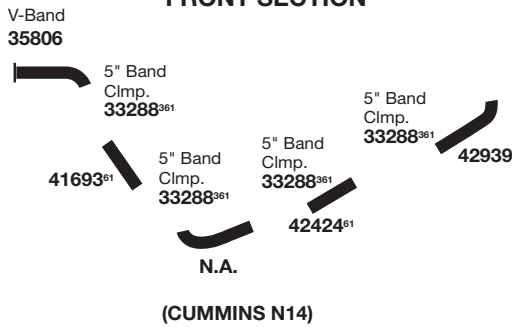
O.E. CROSS INDEX

HEAVY DUTY

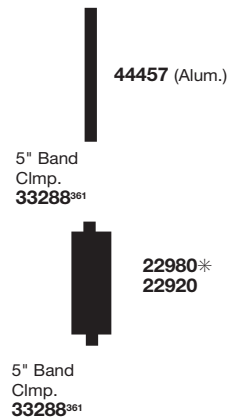
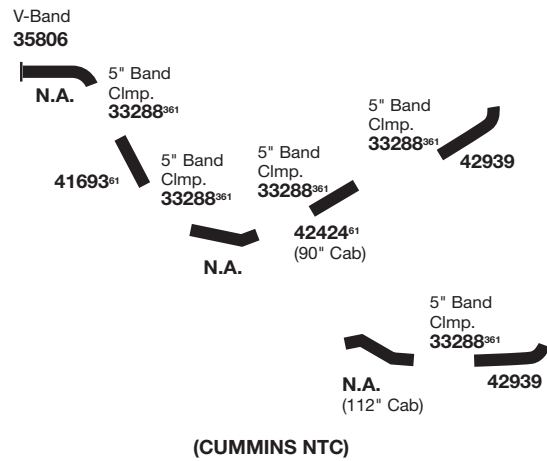
KENWORTH

K100E (4957 Cont.) w/CATERPILLAR 3306B, 3406B, CUMMINS L10, N14, NTC, DETROIT DIESEL SERIES 60 SINGLE VERTICAL SYSTEM

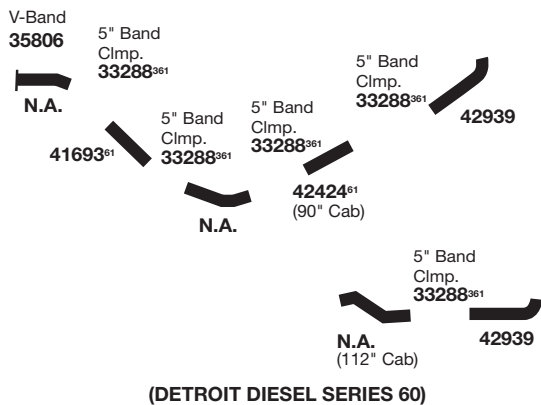
FRONT SECTION



REAR SECTION



* **MEGA-FLOW™
NOISEBRAKER**



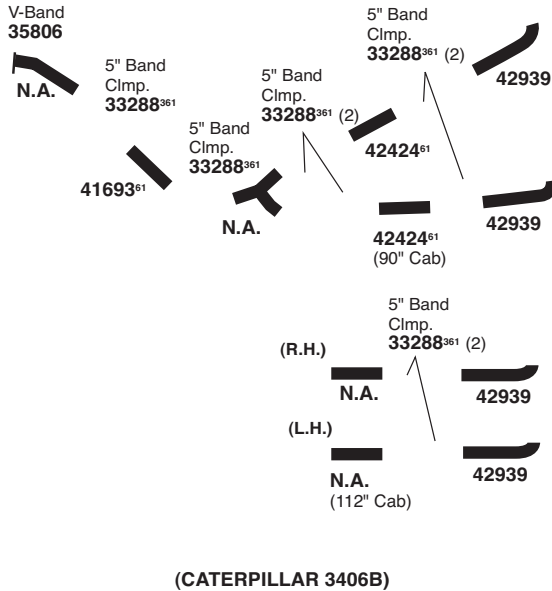
	O.E. #	Walker #
1.	K180-15593	42939

NOTE: For optional replacement exhaust pipe coverage see Tech-Fit pages 40-47.

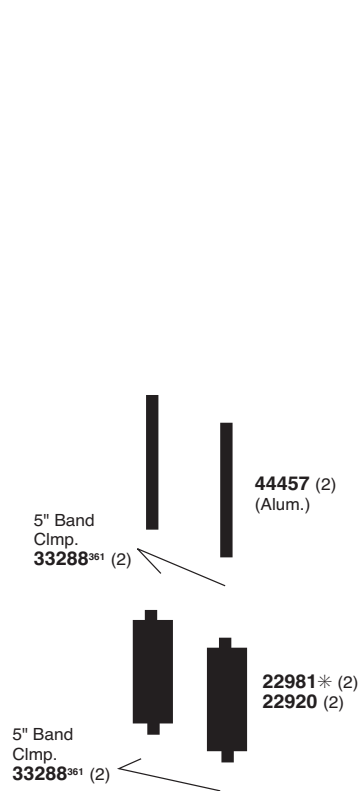
K100E
(4958)

w/CATERPILLAR 3406B, CUMMINS NTC, DIESEL ENG. DUAL VERTICAL SYSTEM

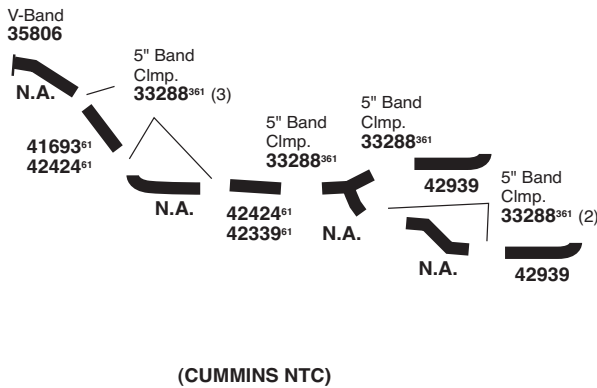
FRONT SECTION



REAR SECTION



* **MEGA-FLOW™
NOISEBRAKER**



	O.E. #	Walker #
1.	K180-15593	42939

NOTE: For optional replacement exhaust pipe coverage see Tech-Fit pages 40-47.
61 Cut to fit.

361 For other Clamp options, see page 14-15. 67

ACCESSORIES

TECH-FIT

HEAVY DUTY
TRUCK
GVW 7-8

APPLICATION
BY ENGINE

MEDIUM
DUTY TRUCK
GVW 3-6

SCHOOL
BUS

AGRICULTURAL

MUFFLER
SPECS

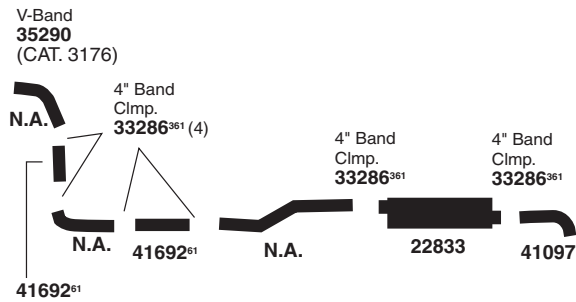
O.E. CROSS
INDEX

HEAVY DUTY

KENWORTH

T400A & T450
(4959)

w/CATERPILLAR 3176 & 3306B, ATAAC, CUMMINS L10, DIESEL ENG.

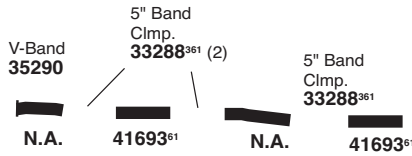


NOTE: For optional replacement exhaust pipe coverage see Tech-Fit pages 40-47.

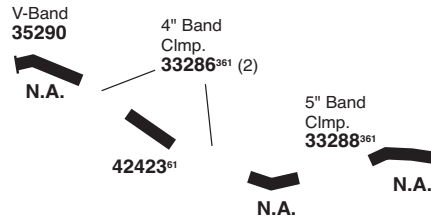
T6, T8, T4B,
T450B, T600,
T800
(4963)

w/CATERPILLAR 3176, 3306B, 3306TA 3406 CUMMINS L10, DIESEL ENG., DUAL VERTICAL SYSTEM,
CAB MOUNTED MUFFLER

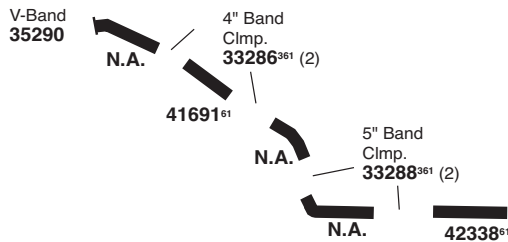
FRONT SECTION



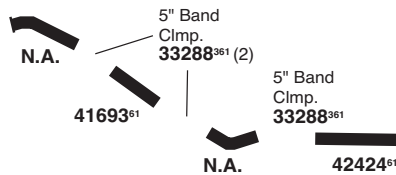
(CATERPILLAR 3176)



(CATERPILLAR 3306B w/REPTO)



(CATERPILLAR 3306TA)

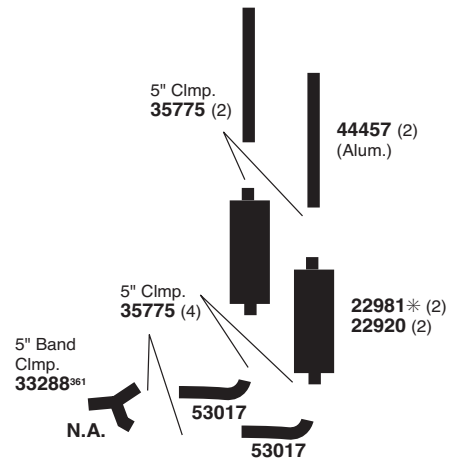


(CATERPILLAR 3406)



(CUMMINS L10)

REAR SECTION



* **MEGA-FLOW™**
NOISEBRAKER

	O.E. #	Walker #
1.	K180-14764R	53017
	K180-14764RCP	53017

NOTE: For optional replacement exhaust pipe coverage see Tech-Fit pages 40-47.

61 Cut to fit.

361 For other Clamp options, see page 14-15. 69

ACCESSORIES

TECH-FIT

HEAVY DUTY
TRUCK
GVW 7-8

APPLICATION
BY ENGINE

MEDIUM
DUTY TRUCK
GVW 3-6

SCHOOL
BUS

AGRICULTURAL

MUFFLER
SPECS

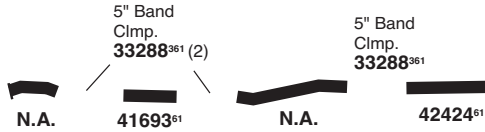
O.E. CROSS
INDEX

HEAVY DUTY

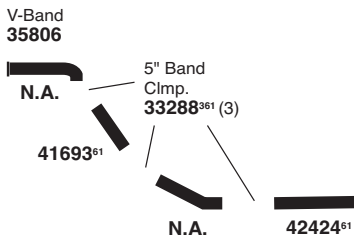
KENWORTH

T6, T8, T4B, T450B, T600, T800 (4963 Cont.) w/CATERPILLAR 3176, 3306B, 3306TA 3406 CUMMINS L10, DIESEL ENG., DUAL VERTICAL SYSTEM, CAB MOUNTED MUFFLER

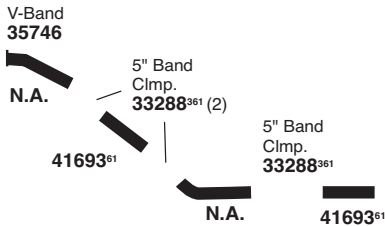
FRONT SECTION



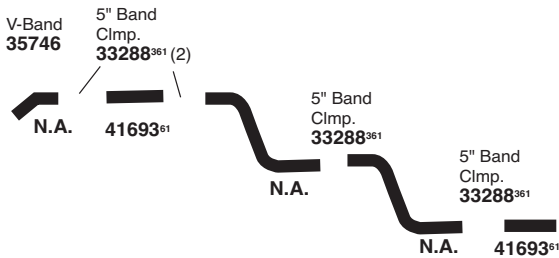
(CUMMINS NTC)



(CUMMINS N14)



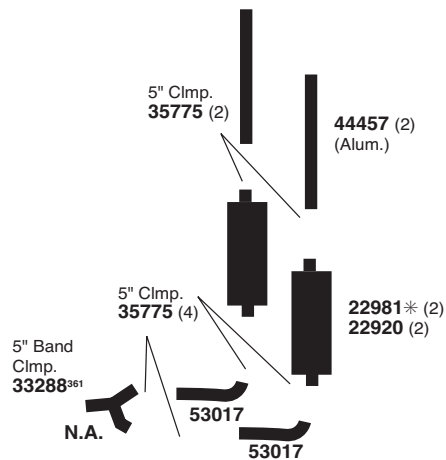
(Before 4-82)



(From 4-82)

(DETROIT DIESEL 6V92T, 8V92T)

REAR SECTION



* **MEGA-FLOW™**
NOISEBRAKER

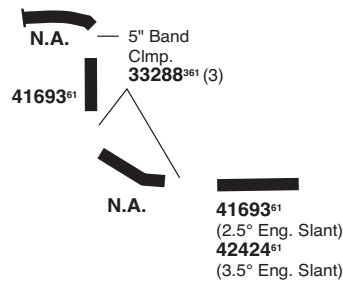
	O.E. #	Walker #
1.	K180-14764R	53017
	K180-14764RCP	53017

NOTE: For optional replacement exhaust pipe coverage see Tech-Fit pages 40-47.

T6, T8, T4B,
T450B, T600,
T800
(4963 Cont.)

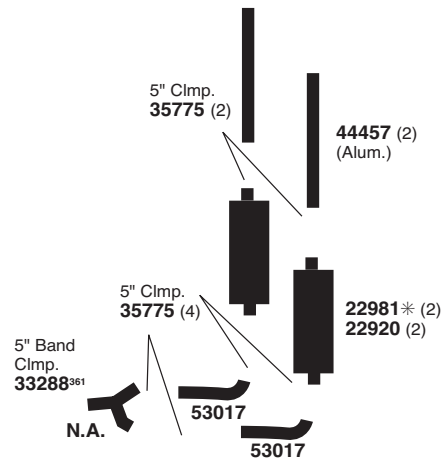
w/CATERPILLAR 3176, 3306B, 3306TA 3406 CUMMINS L10, DIESEL ENG., DUAL VERTICAL SYSTEM,
CAB MOUNTED MUFFLER

FRONT SECTION



(DETROIT DIESEL SERIES 60)

REAR SECTION



* **MEGA-FLOW™**
NOISEBRAKER

	O.E. #	Walker #
1.	K180-14764R	53017
	K180-14764RCP	53017

NOTE: For optional replacement exhaust pipe coverage see Tech-Fit pages 40-47.
61 Cut to fit.

361 For other Clamp options, see page 14-15. 71

ACCESSORIES

TECH-FIT

HEAVY DUTY
TRUCK
GVW 7-8

APPLICATION
BY ENGINE

MEDIUM
DUTY TRUCK
GVW 3-6

SCHOOL
BUS

AGRICULTURAL

MUFFLER
SPECS

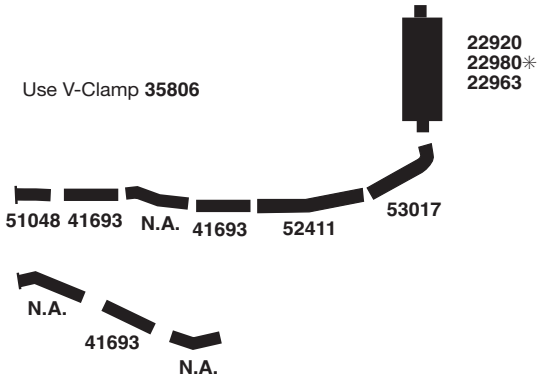
O.E. CROSS
INDEX

HEAVY DUTY

KENWORTH

W900B, L,
T600 or
T800 Models

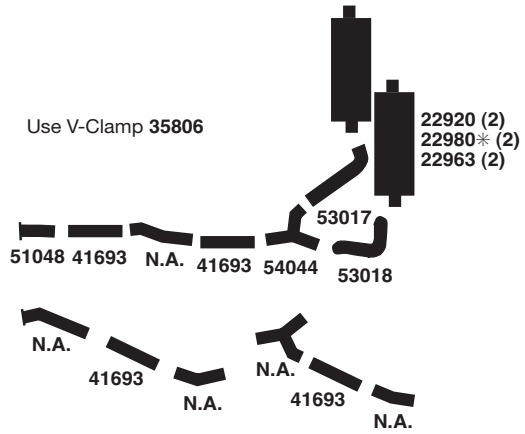
SINGLE EXHAUST



* **MEGA-FLOW™
NOISEBRAKER**

W900B, L,
T600 or
T800 Models

DUAL EXHAUST



* **MEGA-FLOW™
NOISEBRAKER**

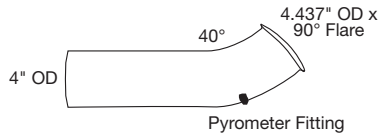
	O.E. #	Walker #
1.	K130-166	51048
2.	K180-8049	52411
3.	K180-14766	54044

	O.E. #	Walker #
4.	K180-14764R	53017
5.	K180-14764L	53018

NOTE: For optional replacement exhaust pipe coverage see Tech-Fit pages 40-47.

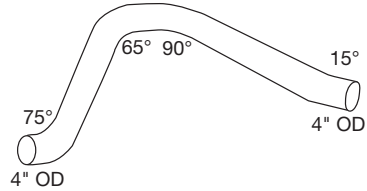
ALUMINIZED EXHAUST COMPONENTS MACK

Replaces MACK
Part No. **4ME21698**
Cruiser Liner
R Model - Front Pipe
R & RD Models EM6-237, EM6-237R, ENDT675, END864
Engines with Frame Mounted Muffler



42978

Replaces MACK
Part No. **4ME32612**
R Model - Round Fuel Tanks

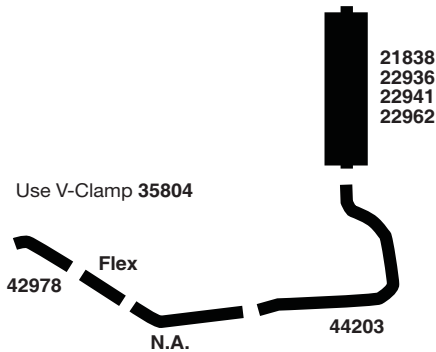


44203

MACK

R and RD Model

SINGLE EXHAUST



	O.E. #	Walker #
1.	4ME-21698	42978
	4ME-32612	44203

ACCESSORIES

TECH-FIT

HEAVY DUTY
TRUCK
GWW 7-8

APPLICATION
BY ENGINE

MEDIUM
DUTY TRUCK
GWW 3-6

SCHOOL
BUS

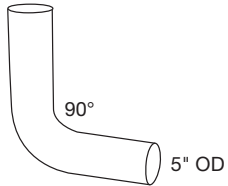
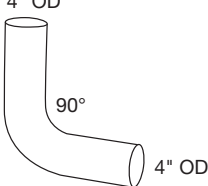
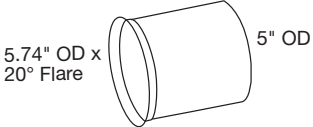
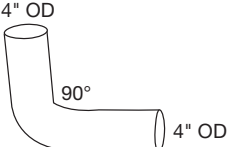
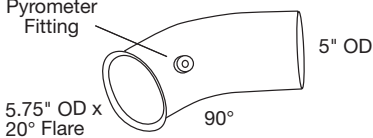
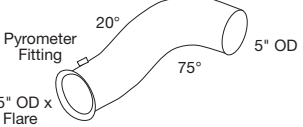
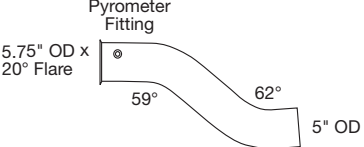
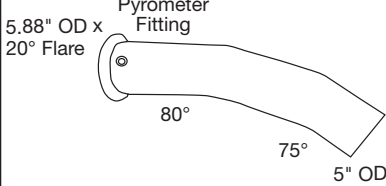
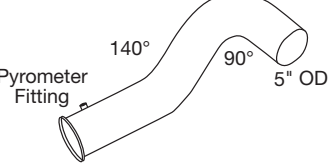
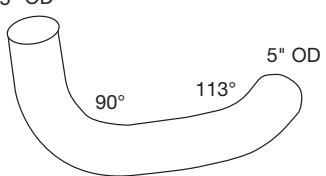
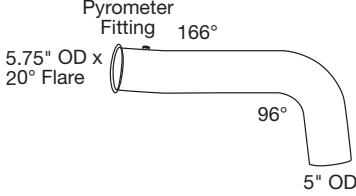
AGRICULTURAL

MUFFLER
SPECS

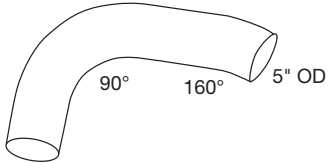
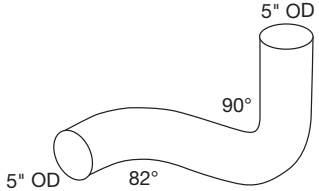
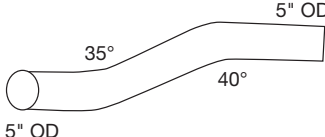
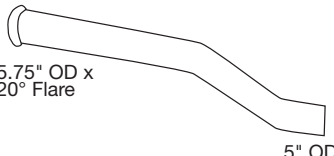
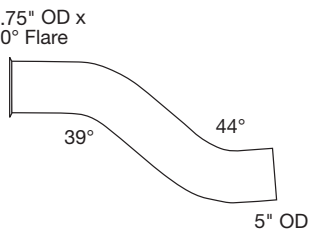
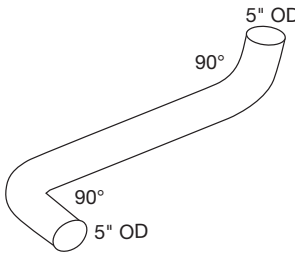
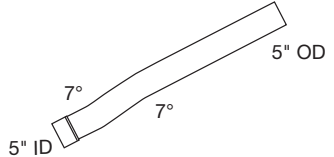
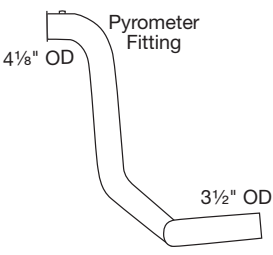
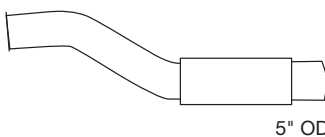
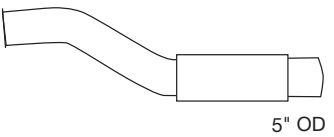
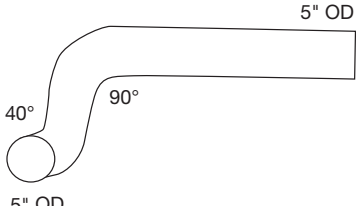
O.E. CROSS
INDEX

HEAVY DUTY

ALUMINIZED EXHAUST COMPONENTS INTERNATIONAL/NAVISTAR

<p>Replaces INTERNATIONAL Part No. 503841C1 Elbow</p> <p>5" OD</p>  <p>90° 5" OD</p> <p>41436</p>	<p>Replaces NAVISTAR Part No. 598-276-C1 Elbow</p> <p>4" OD</p>  <p>90° 4" OD</p> <p>41638</p>	<p>Replaces NAVISTAR Part No. 449-814-C1 Turbo Connector</p>  <p>5.74" OD x 20° Flare 5" OD</p> <p>41696 Requires 35806 V-Clamp</p>
<p>Replaces NAVISTAR Part No. 477-662-C1 Elbow</p> <p>4" OD</p>  <p>90° 4" OD</p> <p>42407</p>	<p>Replaces INTERNATIONAL Part No. 1652937C1 Turbo Down Pipe</p>  <p>Pyrometer Fitting 5" OD 5.75" OD x 20° Flare 90°</p> <p>51035 Requires 35806 V-Clamp</p>	
<p>Replaces INTERNATIONAL Part No. 582177C1 Turbo Down Pipe</p>  <p>Pyrometer Fitting 20° 5" OD 5.75" OD x 20° Flare 75°</p> <p>52362 Requires 35806 V-Clamp</p>	<p>Replaces INTERNATIONAL Part No. 167907C3 or 167390C1 Front Pipe</p>  <p>Pyrometer Fitting 5.75" OD x 20° Flare 59° 62° 5" OD</p> <p>52379 Requires 35806 V-Clamp</p>	<p>Replaces INTERNATIONAL Part No. 500342C1 or 399322C1 Front Pipe</p>  <p>Pyrometer Fitting 5.88" OD x 20° Flare 80° 75° 5" OD</p> <p>52380 Requires 35806 V-Clamp</p>
<p>Replaces INTERNATIONAL Part No. 582167C1 Turbo Pipe</p>  <p>Pyrometer Fitting 140° 90° 5" OD 5.75" OD x 20° Flare</p> <p>53543 Requires 35808 V-Clamp</p>	<p>Replaces INTERNATIONAL Part No. 503845C1 Extension Pipe</p>  <p>5" OD 90° 113° 5" OD</p> <p>53544</p>	<p>Replaces INTERNATIONAL Part No. 582181C1 Turbo Pipe</p>  <p>Pyrometer Fitting 166° 96° 5" OD 5.75" OD x 20° Flare</p> <p>53545 Requires 35806 V-Clamp</p>

ALUMINIZED EXHAUST COMPONENTS INTERNATIONAL/NAVISTAR

<p>Replaces INTERNATIONAL Part No. 447832C1 Rear Pipe</p>  <p>53546</p>	<p>Replaces INTERNATIONAL Part No. 1657101C2 or 1657101C1 Extension Pipe</p>  <p>53581</p>	<p>Replaces INTERNATIONAL Part No. 437040C1 Extension Pipe</p>  <p>53582</p>
<p>Replaces INTERNATIONAL Part No. 447835C1 Front Pipe</p>  <p>53584 Requires 35806 V-Clamp</p>	<p>Replaces INTERNATIONAL Part No. 475306C2 Turbo Pipe</p>  <p>53585 Requires 35806 V-Clamp</p>	<p>Replaces INTERNATIONAL Part No. 1657118C2, 1657118C1 Extension Pipe</p>  <p>54576</p>
<p>Replaces NAVISTAR Part No. 532397C1 Stack Pipe</p>  <p>54577</p>	<p>Replaces INTERNATIONAL Part No. 35548324C1 Front Pipe</p>  <p>54652</p>	<p>Replaces INTERNATIONAL Part No. 3811755C4 Turbo Down Pipe w/Flex</p>  <p>54828</p>
<p>Replaces INTERNATIONAL Part No. 3628113C5 Turbo Down Pipe w/Flex</p>  <p>54829</p>	<p>Replaces INTERNATIONAL Part No. 532383C1 Extension Pipe</p>  <p>55451</p>	

ACCESSORIES

TECH-FIT

HEAVY DUTY
TRUCK
GVW 7-8

APPLICATION
BY ENGINE

MEDIUM
DUTY TRUCK
GVW 3-6

SCHOOL
BUS

AGRICULTURAL

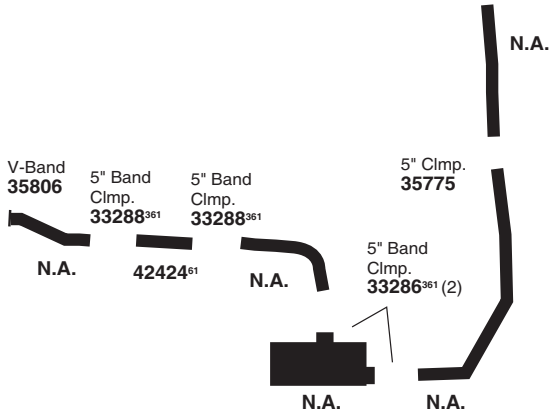
MUFFLER
SPECS

O.E. CROSS
INDEX

HEAVY DUTY

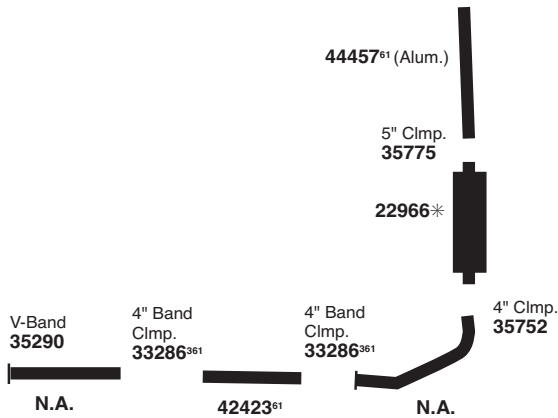
IH/NAVISTAR 2000 Series Chassis

1993-88 6 CYL 2500, 2600 w/CUMMINS N14
DIESEL, HORIZONTAL MUFFLER
(4968) VERTICAL TAIL PIPE



* **MEGA-FLOW™**

1993-88 6 CYL 2500, 2600 W/DTA466,
CATERPILLAR 3176, CUMMINS
(4969) L10 DIESEL, SINGLE VERTICAL
MUFFLER

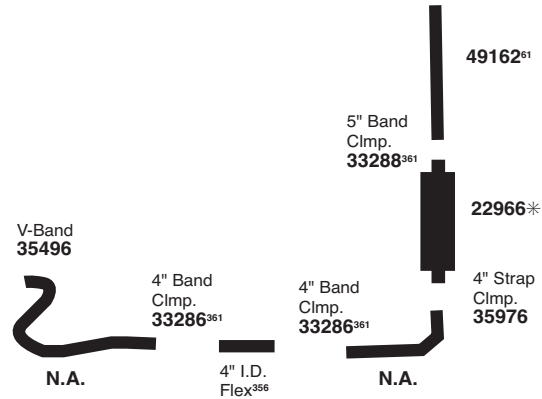


* **MEGA-FLOW™**

IH/NAVISTAR

7000 Series Chassis - 1½ Ton & Over

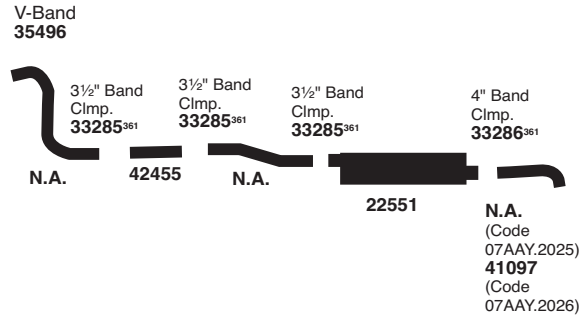
1993-88 6 CYL 7100 w/DT360, DT/DTA466 DIESEL
ENG., R.H. FRAME MOUNT
(4970) VERTICAL MUFFLER w/CODES
07AWB, 07AWC, 07554



* **MEGA-FLOW™**

IH/NAVISTAR 8000 Series Chassis

1993-91 6 CYL 8000 w/DT/DTA466 DIESEL, CODE
(4971) 07AAY-FRAME MOUNTED
MUFFLER & SHORT TAIL PIPE



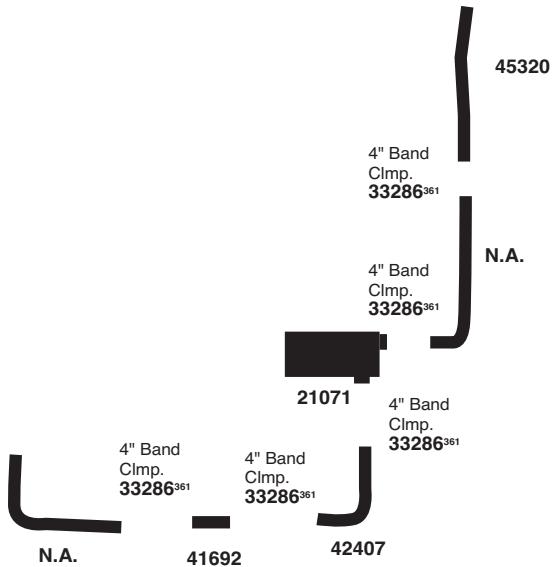
	O.E. #	Walker #
1.	258387C2	41097
	TE3253121	41097
2.	320230C1	42455
3.	360494C1	44457

NOTE: For optional replacement exhaust pipe coverage see Tech-Fit pages 40-47.

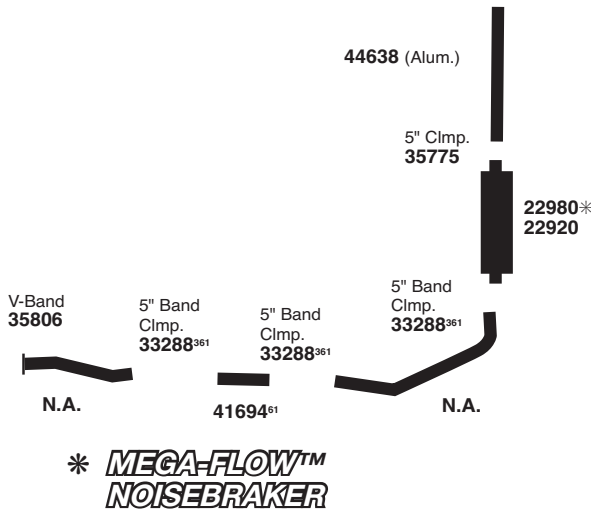
HEAVY DUTY

IH/NAVISTAR 2000 Series Chassis

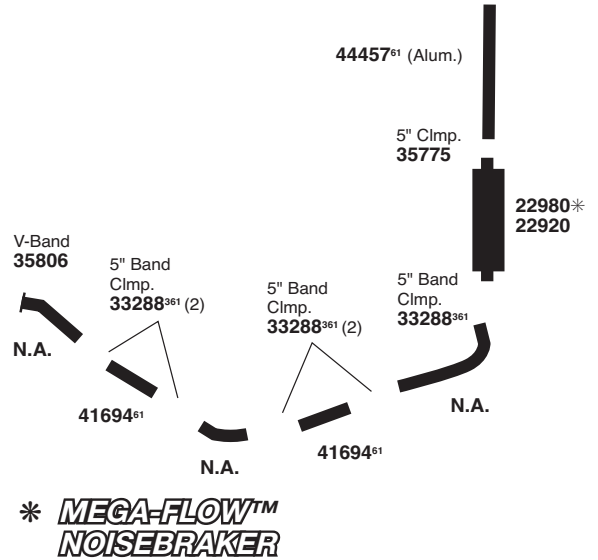
1993-88 6 CYL 8000 w/DT/DT466 DIESEL
(4972)



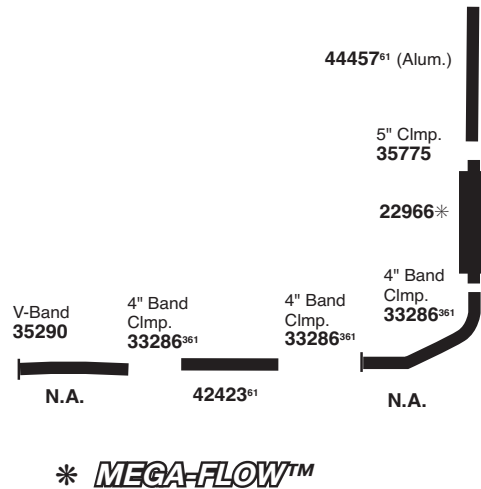
1993-88 6 CYL 8000 w/DETROIT DIESEL SERIES
60 DIESEL, STD CAB w/o SLEEPER,
FRAME MOUNTED VERTICAL
SYSTEM
(4973)



1993-88 6 CYL 8000 w/DETROIT DIESEL SERIES
60 DIESEL, w/SLEEPER CAB,
FRAME MOUNTED VERTICAL
SYSTEM
(4974)



1993-88 6 CYL 8100 w/DTA466, CATERPILLAR
3176, CUMMINS L10 DIESEL,
SINGLE VERTICAL SYSTEM
(4975)



ACCESSORIES

TECH-FIT

HEAVY DUTY
TRUCK
GVW 7-8

APPLICATION
BY ENGINE

MEDIUM
DUTY TRUCK
GVW 3-6

SCHOOL
BUS

AGRICULTURAL

MUFFLER
SPECS

O.E. CROSS
INDEX

	O.E. #	Walker #
1.	1648038C1	21071
2.	3511320C1	22920
3.	320233C1	41692
4.	391814C1	41694

	O.E. #	Walker #
5.	477662C1	42407
6.	360494C1	44457
7.	532395C1	45320

NOTE: For optional replacement exhaust pipe coverage see Tech-Fit pages 40-47.

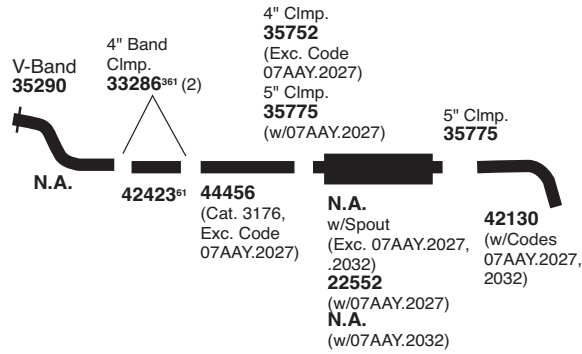
61 Cut to fit.

361 For other Clamp options, see page 14-15. 77

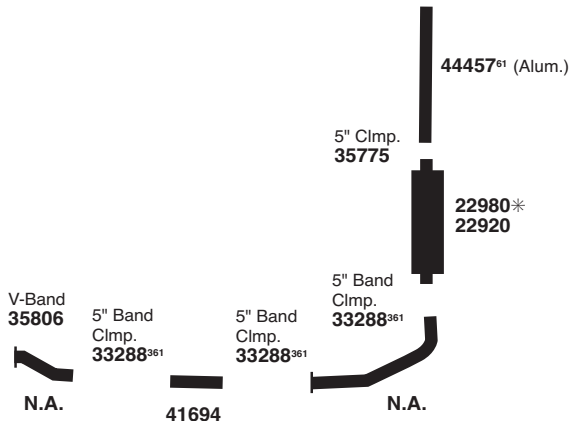
HEAVY DUTY

IH/NAVISTAR 8000 Series Chassis

1993-88 6 CYL 8100, 8200 w/CATERPILLAR
3176, CUMMINS L10, N14 DIESEL,
(4976) FRAME MOUNTED SYSTEM



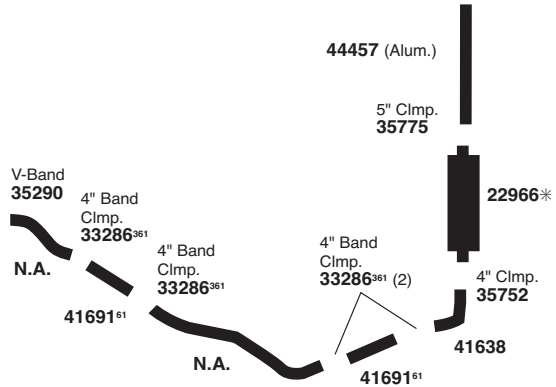
1993-88 6 CYL 8200, 8300 w/CATERPILLAR
3406, CUMMINS N14 ENG.
(4977) SINGLE VERTICAL SYSTEM



* **MEGA-FLOW™
NOISEBRAKER**

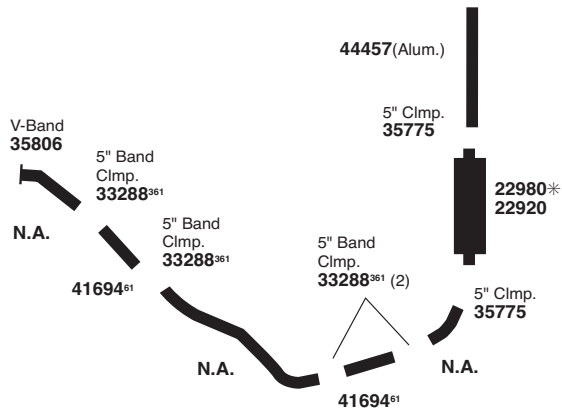
IH/NAVISTAR 9000 Series Chassis

1993-91 6 CYL 9300 w/CATERPILLAR 3176
(4978) (350 H.P.) DIESEL, SINGLE CAB
MOUNTED SYSTEM



* **MEGA-FLOW™**

1993-91 6 CYL 9300 w/CATERPILLAR 3176, 3406,
(4979) CUMMINS N14 DIESEL, SINGLE
CAB MOUNTED VERTICAL
SYSTEM (EXC. CAT .3176 w/350 HP)



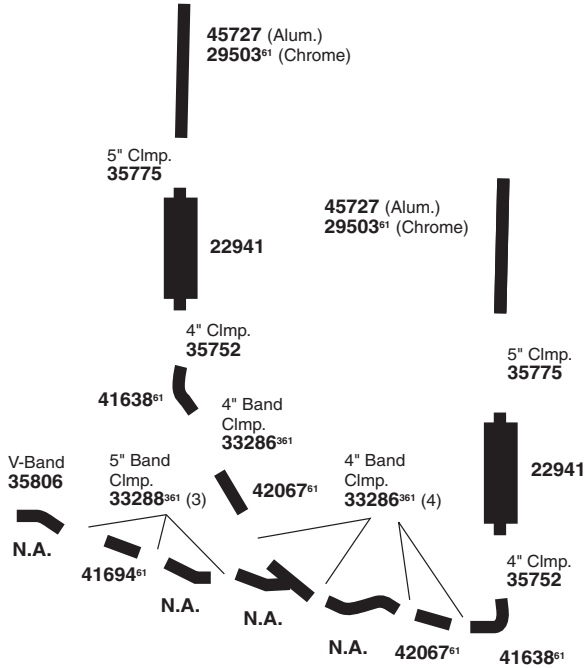
* **MEGA-FLOW™
NOISEBRAKER**

	O.E. #	Walker #		O.E. #	Walker #
1.	3511320C1	22920	4.	598276C1	41638
2.	360494C1	44457	5.	760845C1	44456
3.	391814C1	41694	6.	795570C1	22552

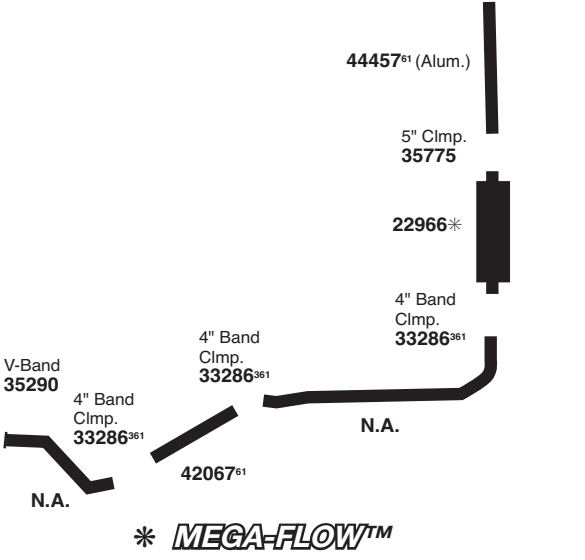
NOTE: For optional replacement exhaust pipe coverage see Tech-Fit pages 40-47.

HEAVY DUTY

1993-91 6 CYL 9300 w/CATERPILLAR 3406B, CUMMINS N14 DIESEL, DUAL CAB MOUNTED VERTICAL SYSTEM (4980)

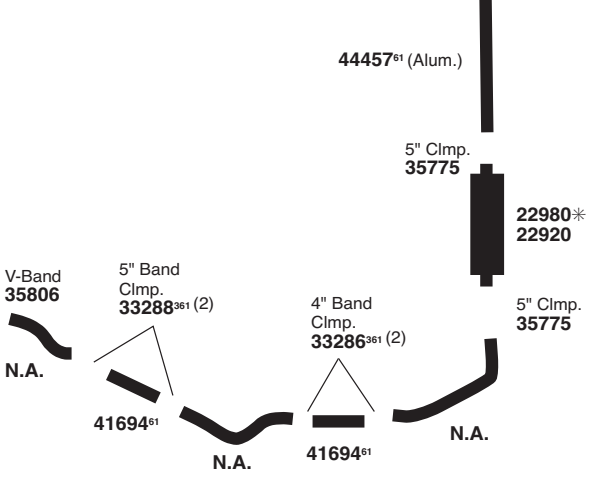


1993-91 6 CYL 9300 w/CATERPILLAR 3176, CUMMINS L10, FRAME MOUNTED SINGLE VERTICAL SYSTEM (4981)



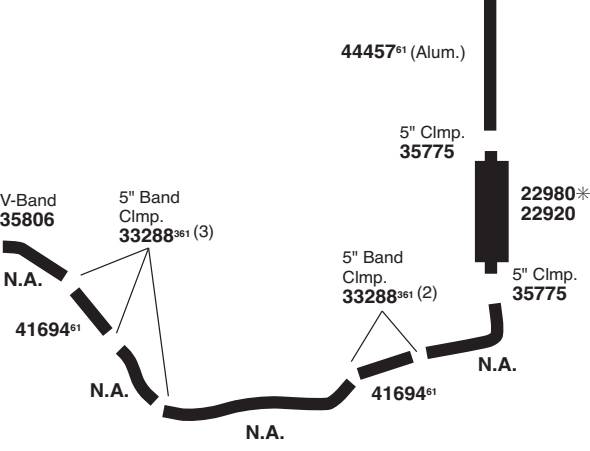
IH/NAVISTAR 9000 Series Chassis

1993-88 6 CYL 9300 w/CATERPILLAR 3176, 3406B, CUMMINS 88NT, 91N14 DIESEL, SINGLE FRAME MOUNTED SYSTEM (w/o 150 GAL. FUEL TANK) (4982)



* MEGA-FLOW™ NOISEBRAKER

1993-88 6 CYL 9300 w/CATERPILLAR 3406B, CUMMINS, DETROIT DIESEL 6V, 8V DIESEL, FRAME MOUNTED SYSTEM w/150 GAL. FUEL TANK (4983)



* MEGA-FLOW™ NOISEBRAKER

	O.E. #	Walker #
1.	3511320C1	22920
2.	360494C1	44457
3.	391814C1	41694
4.	598276C1	41638

NOTE: For optional replacement exhaust pipe coverage see Tech-Fit pages 40-47.

61 Cut to fit.

361 For other Clamp options, see page 14-15. 79

ACCESSORIES

TECH-FIT

HEAVY DUTY TRUCK GVW 7-8

APPLICATION BY ENGINE

MEDIUM DUTY TRUCK GVW 3-6

SCHOOL BUS

AGRICULTURAL

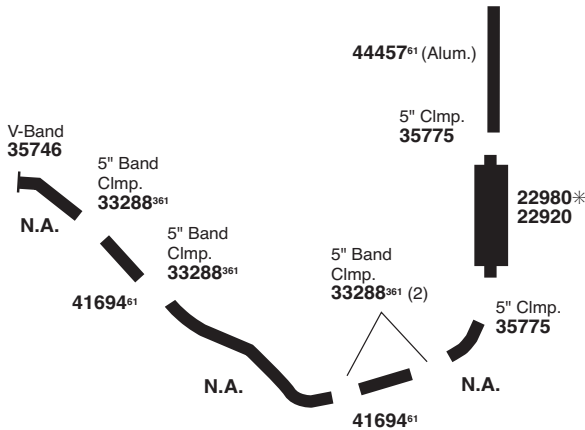
MUFFLER SPECS

O.E. CROSS INDEX

HEAVY DUTY

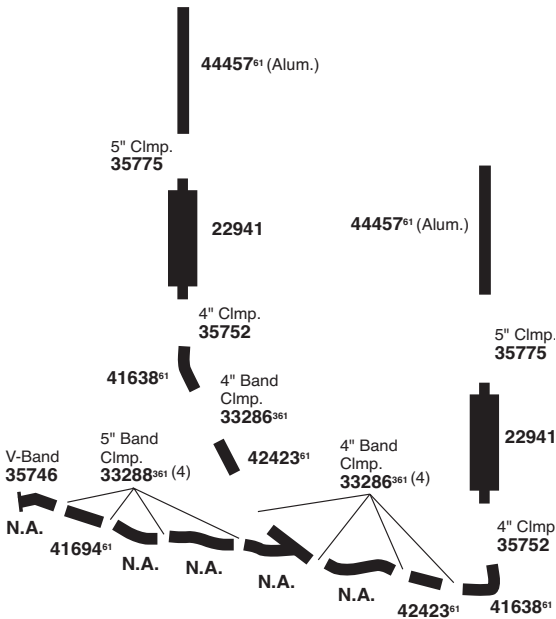
IH/NAVISTAR 9000 Series Chassis

1993-88 6 CYL 9300 w/DETROIT DIESEL 6V
SERIES, CAB MOUNTED SINGLE
VERTICAL SYSTEM
(4984)

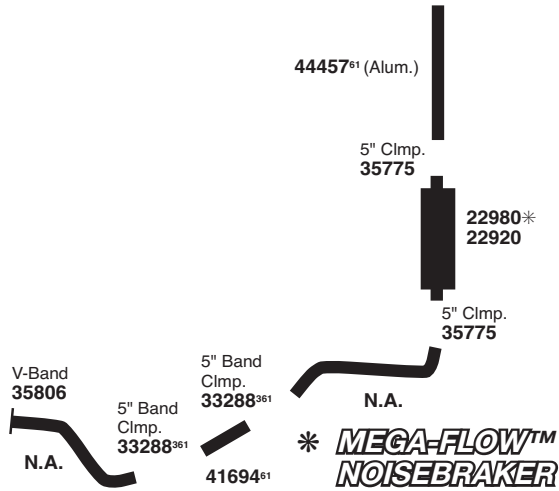


* **MEGA-FLOW™
NOISEBRAKER**

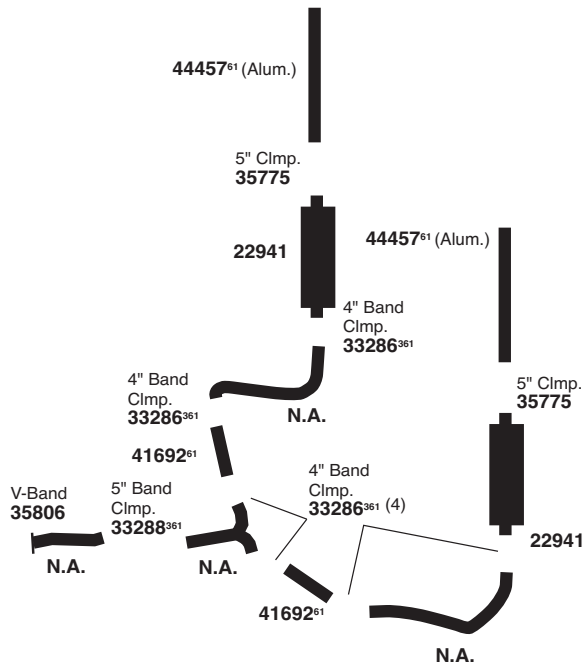
1993-88 6 CYL 9300 w/8V SERIES DETROIT
DIESEL CAB MOUNTED DUAL
VERTICAL SYSTEM
(4985)



1993-91 6 CYL 9700 w/CATERPILLAR 3406,
CUMMINS N14, DETROIT DIESEL
SERIES 60, SINGLE FRAME
MOUNTED SYSTEM
(4986)



1993-91 6 CYL 9700 w/CATERPILLAR 3406,
CUMMINS N14, DETROIT DIESEL,
SERIES 60 ENG., FRAME
MOUNTED DUAL VERTICAL
SYSTEM
(4987)



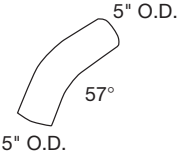
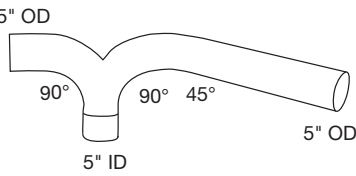
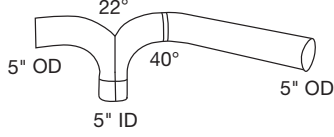
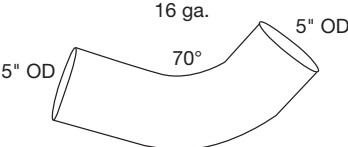
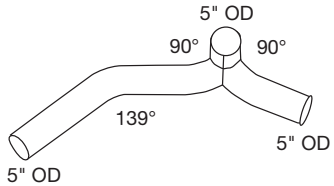
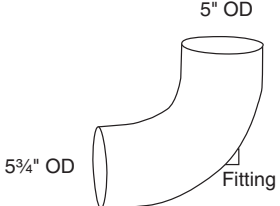
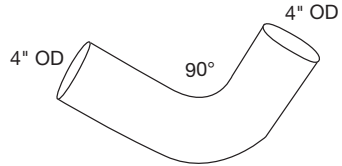
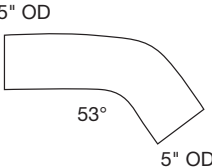
NOTE: Aluminized Steel replaces O.E.
Chromed system.

	O.E. #	Walker #
1.	320233C1	41692
2.	3511320C1	22920
3.	360494C1	44457

	O.E. #	Walker #
4.	391814C1	41694
5.	598276C1	41638

NOTE: For optional replacement exhaust pipe coverage see Tech-Fit pages 40-47.

ALUMINIZED EXHAUST COMPONENTS PETERBILT

<p>Replaces PETERBILT Part No. 14-13056C Chrome Elbow</p>  <p>5" O.D. 57° 5" O.D.</p> <p>29261</p>	<p>Replaces PETERBILT Part No. 14-04055</p>  <p>5" OD 90° 90° 45° 5" ID 5" OD</p> <p>40577</p>
<p>Replaces PETERBILT Part No. 14-13055 Y-Pipe</p>  <p>22° 5" OD 5" OD 5" OD 5" ID 40°</p> <p>40590</p>	<p>Replaces PETERBILT Part No. 14-10726 Chrome Elbow</p>  <p>16 ga. 5" OD 70° 5" OD</p> <p>42856 29209 (Chrome)</p>
<p>Replaces PETERBILT Part No. 14-15353-0150 Part No. 14-13944-0150 Y-Pipe</p>  <p>5" OD 90° 90° 5" OD 139° 5" OD</p> <p>50561</p>	<p>Replaces PETERBILT Part No. 14-13002</p>  <p>5" OD 5 3/4" OD Fitting</p> <p>51090</p>
<p>Replaces PETERBILT Part No. 14-08527</p>  <p>4" OD 90° 4" OD</p> <p>52138</p>	<p>Replaces PETERBILT Part No. 14-13056 Elbow</p>  <p>5" OD 53° 5" OD</p> <p>52525</p>

ACCESSORIES

TECH-FIT

HEAVY DUTY
TRUCK
GVW 7-8

APPLICATION
BY ENGINE

MEDIUM
DUTY TRUCK
GVW 3-6

SCHOOL
BUS

AGRICULTURAL

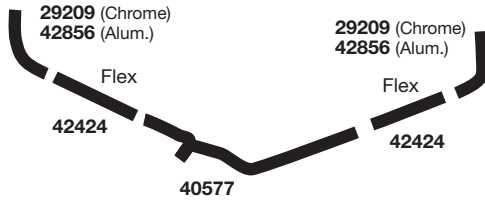
MUFFLER
SPECS

O.E. CROSS
INDEX

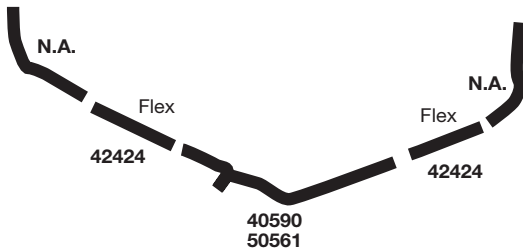
HEAVY DUTY

PETERBILT

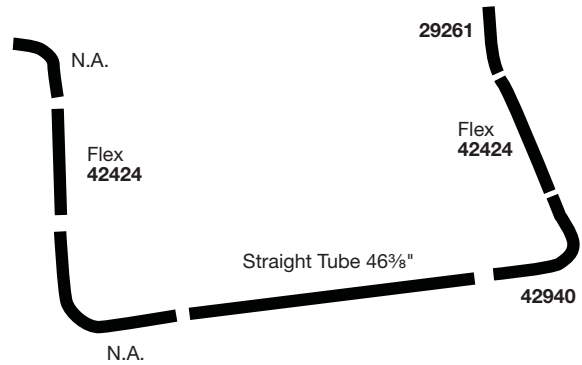
359 Models Dual Exhaust



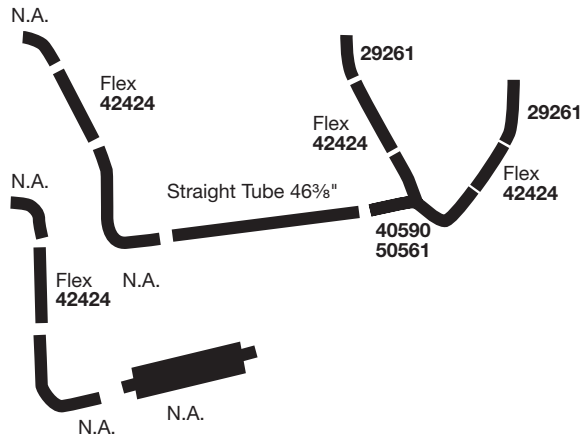
377 Models Dual Exhaust



379 Models Single Exhaust



379 Models Dual Exhaust



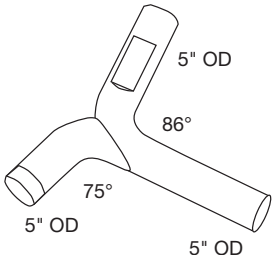
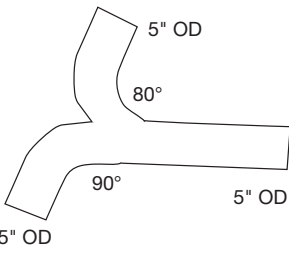

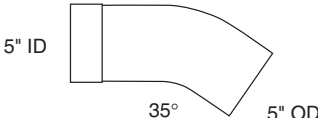
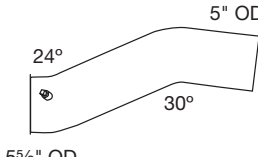
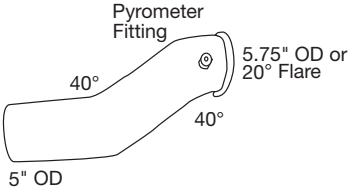
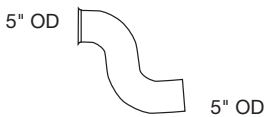
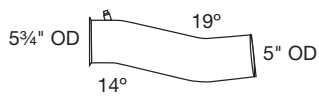
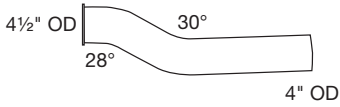
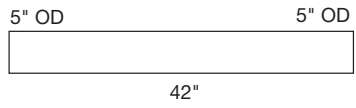
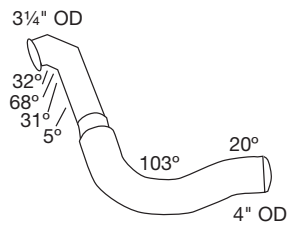
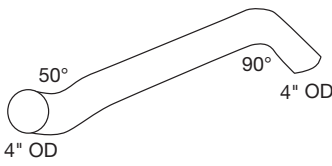
	O.E. #	Walker #
1.	14-04055	40577
2.	14-01726	42856
3.	14-01726C	29209
4.	14-08044-015	42424

	O.E. #	Walker #
5.	14-12294-1175	61 Straight Tube 46 3/8"
6.	14-13055	40590
7.	14-13056C	29261

	O.E. #	Walker #
8.	14-13944-0150	50561
9.	14-15353-0150	50561

NOTE: For optional replacement exhaust pipe coverage see Tech-Fit pages 40-47.

ALUMINIZED EXHAUST COMPONENTS STERLING

<p>Replaces STERLING Part No. 04-16885-024 Y-Pipe</p>  <p>50342</p>	<p>Replaces STERLING Part No. 04-16685-041 Y-Pipe</p>  <p>50449</p>	<p>Replaces STERLING Part No. 04-22317-000 Front Pipe 2005 LT9500, Engine Series 60 Diesel Hp (400-450)</p>  <p>51045</p>
<p>Replaces STERLING Part No. 01-16639-001 Extension Pipe</p>  <p>51046</p>	<p>Replaces STERLING Part No. 04-19843-000 Front Pipe Turbo Pipe w/pyrometer fitting and plug</p>  <p>51047</p>	<p>Replaces STERLING Part No. 04-19210-000 Turbo Pipe</p>  <p>52386 Requires 35806 V-Clamp</p>
<p>Replaces STERLING Part No. 04-17094-012 Front Pipe 2000 A9500, CAT Engines (3176, 3406E, 3406) 6 Spd Manual Trans.</p>  <p>52402</p>	<p>Replaces STERLING Part No. 04-19844-000 Front Pipe Turbo Pipe w/pyrometer fitting and plug</p>  <p>52403</p>	<p>Replaces STERLING Part No. 04-19734-000 Turbo Pipe</p>  <p>53596</p>
<p>Replaces STERLING Part No. F6HZ-5263-GA Extension Pipe</p>  <p>53633</p>	<p>Replaces STERLING Part No. A04-19832-000 Extension Pipe</p>  <p>53634</p>	<p>Replaces STERLING Part No. 04-19752-000 Extension Pipe</p>  <p>54592</p>

ACCESSORIES

TECH-FIT

HEAVY DUTY
TRUCK
GVW 7-8

APPLICATION
BY ENGINE

MEDIUM
DUTY TRUCK
GVW 3-6

SCHOOL
BUS

AGRICULTURAL

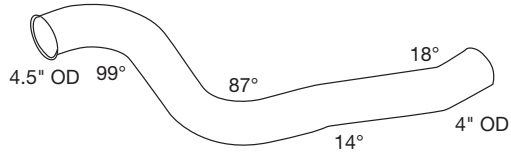
MUFFLER
SPECS

O.E. CROSS
INDEX

HEAVY DUTY

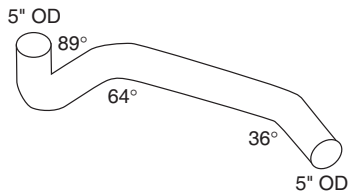
ALUMINIZED EXHAUST COMPONENTS STERLING

Replaces STERLING
Part No. **04-19732-000**
Turbo Pipe



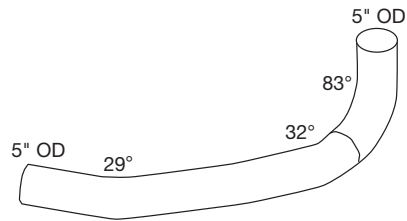
54593

Replaces STERLING
Part No. **04-22348000-200**
Y-Pipe



54621

Replaces STERLING
Part No. **04-19750-000**
Extension Pipe



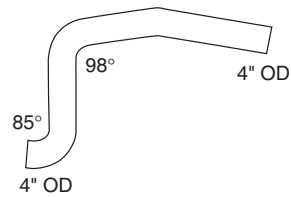
55453

Replaces STERLING
Part No. **F6HZ-5263-ABA**
Straight Tube



55473

Replaces STERLING
Part No. **F8HZ-5218-LA**
Front Pipe

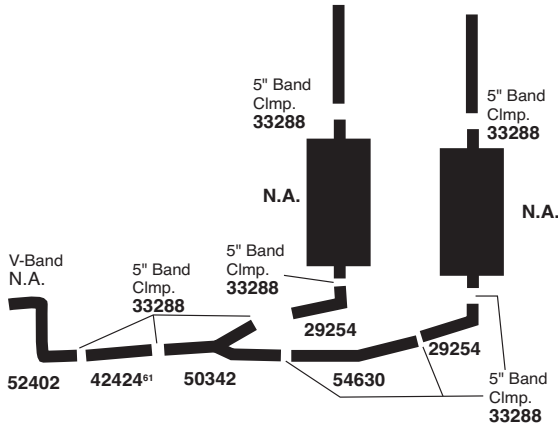


55474

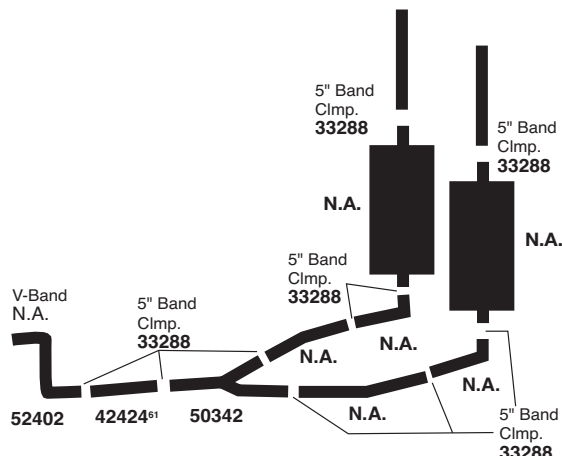
HEAVY DUTY

STERLING HD

2000-99 6 CYL A9500 w/CATERPILLAR 3126 DIESEL, BOX/STRAIGHT TRUCK, AIR RIDE SUSPENSION, 6 SPEED MANUAL TRANS. DUAL VERTICAL MUFFLERS
(4988)

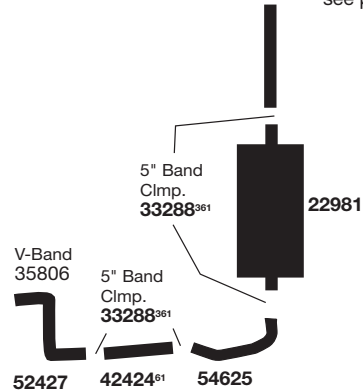


1999 6 CYL L9513 w/CATERPILLAR 3406E, DAY CAB, AIR RIDE SUSPENSION, 9 SPEED MANUAL TRANS. DUAL VERTICAL MUFFLERS
(4989)

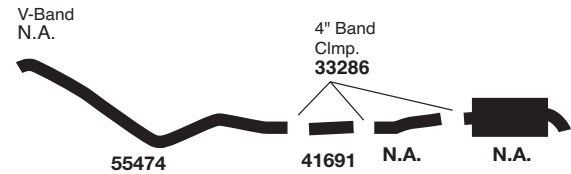


2006 6 CYL STERLING LT 9500 w/DETROIT DIESEL 400-4500 w/13 SPEED MT

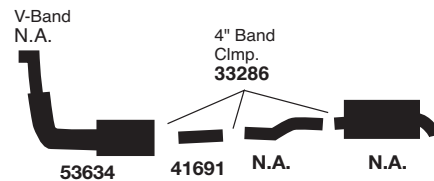
NOTE: For Stack Pipe options, see page 29.



2001-00 6 CYL STERLING I7501 w/8.3L CUMMINS 6 SPEED MT
(4991)



2001-00 6 CYL STERLING LT95000 w/5.9L CUMMINS, DAY CAB
(4992)



	O.E. #	Walker #
1.	04-09657-013	29254
2.	04-16621-001	54630
3.	04-16885-024	50342

	O.E. #	Walker #
4.	04-17094-012	52402
5.	04-22284-000	54625
6.	A04-19832-000	53634

	O.E. #	Walker #
7.	F8HZ-5218-LA	55474
8.	04-22315-000	52427

NOTE: For optional replacement exhaust pipe coverage see Tech-Fit pages 40-47.

61 Cut to fit.

361 For other Clamp options, see page 14-15. 85

ACCESSORIES

TECH-FIT

HEAVY DUTY TRUCK GWW 7-8

APPLICATION BY ENGINE

MEDIUM DUTY TRUCK GWW 3-6

SCHOOL BUS

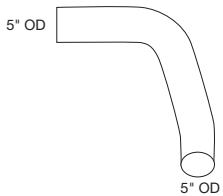
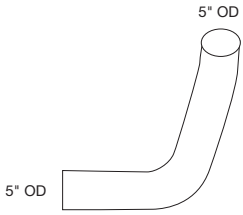
AGRICULTURAL

MUFFLER SPECS

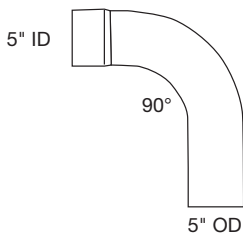
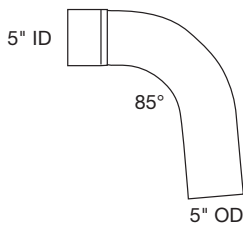
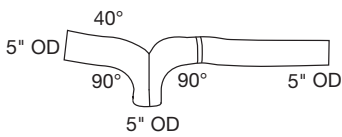
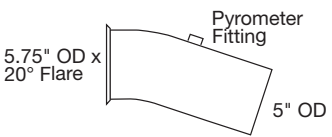
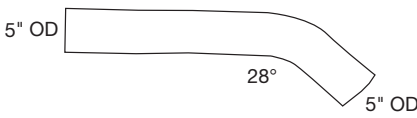
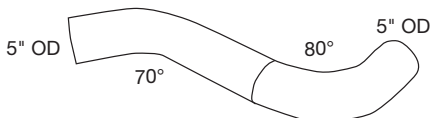
O.E. CROSS INDEX

HEAVY DUTY

ALUMINIZED EXHAUST COMPONENTS VOLVO

<p>Replaces VOLVO Part No. 23509-0261 Extension Pipe</p>  <p>52524</p>	<p>Replaces VOLVO Part No. 23509-0262C Extension Pipe</p>  <p>52526</p>
---	---

WESTERN STAR

<p>Replaces WESTERN STAR Part No. 23529-3540 Chrome Elbow</p>  <p>29152</p>	<p>Replaces WESTERN STAR Part No. 23527-3440 Y-Pipe</p>  <p>29253</p>
<p>Replaces WESTERN STAR Part No. 23529-3542 Y-Pipe</p>  <p>40639</p>	<p>Replaces WESTERN STAR Part No. 23517-3520 Front Pipe</p>  <p>52370</p>
<p>Replaces WESTERN STAR Part No. 23517-3525 Extension Pipe</p>  <p>53594</p>	<p>Replaces WESTERN STAR Part No. 23529-3478</p>  <p>54610</p>