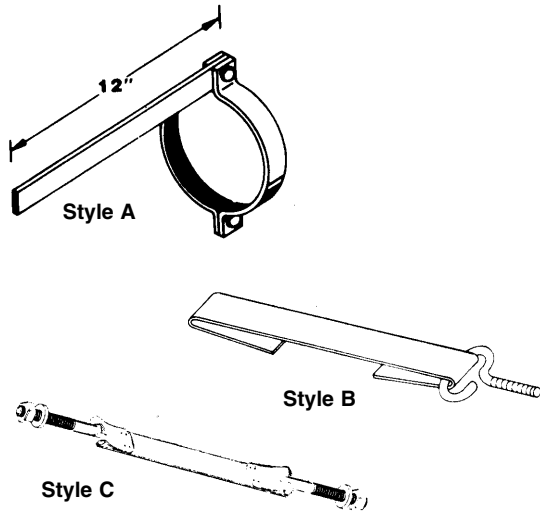


MUFFLER HANGERS



Heavy Duty muffler body clamp and hanger strap. The strap can be bent and twisted to fit the installation. Use for horizontal or vertical mount. Use two for maximum rigidity.

Part No.	Style	Fits Body Diameter
35745	B	7—8 ³ / ₈
35854	A	6
35855	A	7
35338	A	8
35856	A	8½
35972	A	9
35983	A	10
35733	A	8¼ x 11½
35984	A	10 x 15
35899	A	11½
36209	C	10 x 15
35237	C	8¼ x 11½