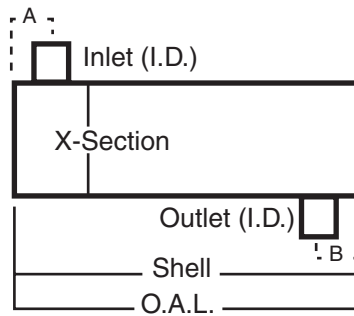
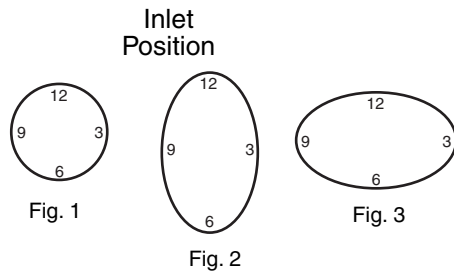


STYLE 13



To locate the outlet connection:
View muffler from inlet end with inlet connection
near 12 o'clock. Outlet will be located clockwise from
inlet per chart.

Inlet ID	Part No.	Cross Section	Shell Length	Overall Length	Outlet ID	"A" Inlet Offset	"B" Outlet Offset	Fig.	Inlet Position	Outlet Position
4	22775	10 ¹ / ₈	28	28	4	4 ¹ / ₂	9	1	12	6
4	22642	11 ¹ / ₈	36	36	4	4 ¹ / ₄	6 ³ / ₄	1	12	9
4	22667	11 ¹ / ₈	36	36	4	4 ¹ / ₄	18 ¹ / ₂	1	12	10
4	21069	11 ¹ / ₈	36	36	4	4 ¹ / ₄	22 ¹ / ₂	1	12	2
5	22452	10 x 15	26	26	5	4	4	3	12	6
5	21167	10 x 15	30	32	5	3 ¹ / ₂	4	2	12	6